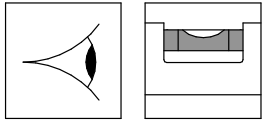


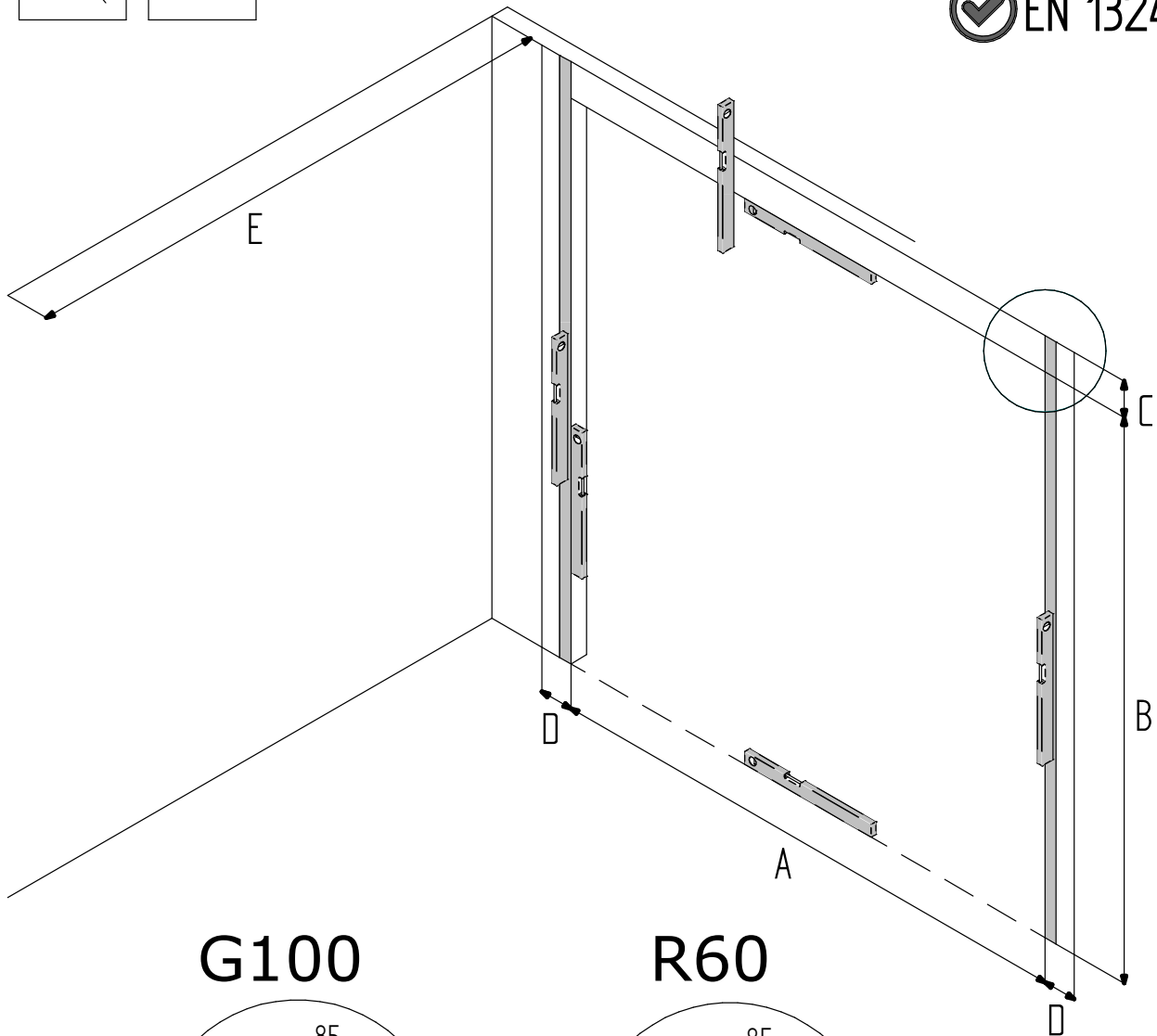
G100 / R60

MONTAGEHANDLEIDING - ASSEMBLY MANUAL - MONTAGEANLEITUNG - MANUEL DE MONTAGE

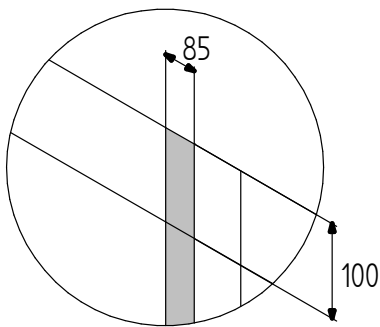




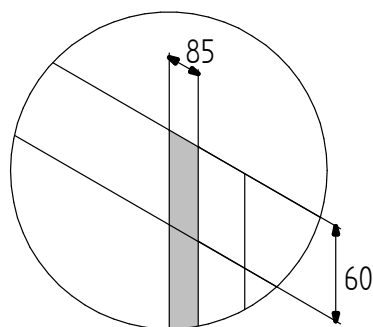
- ✓ EN 12604
- ✓ EN 12453
- ✓ EN 13241



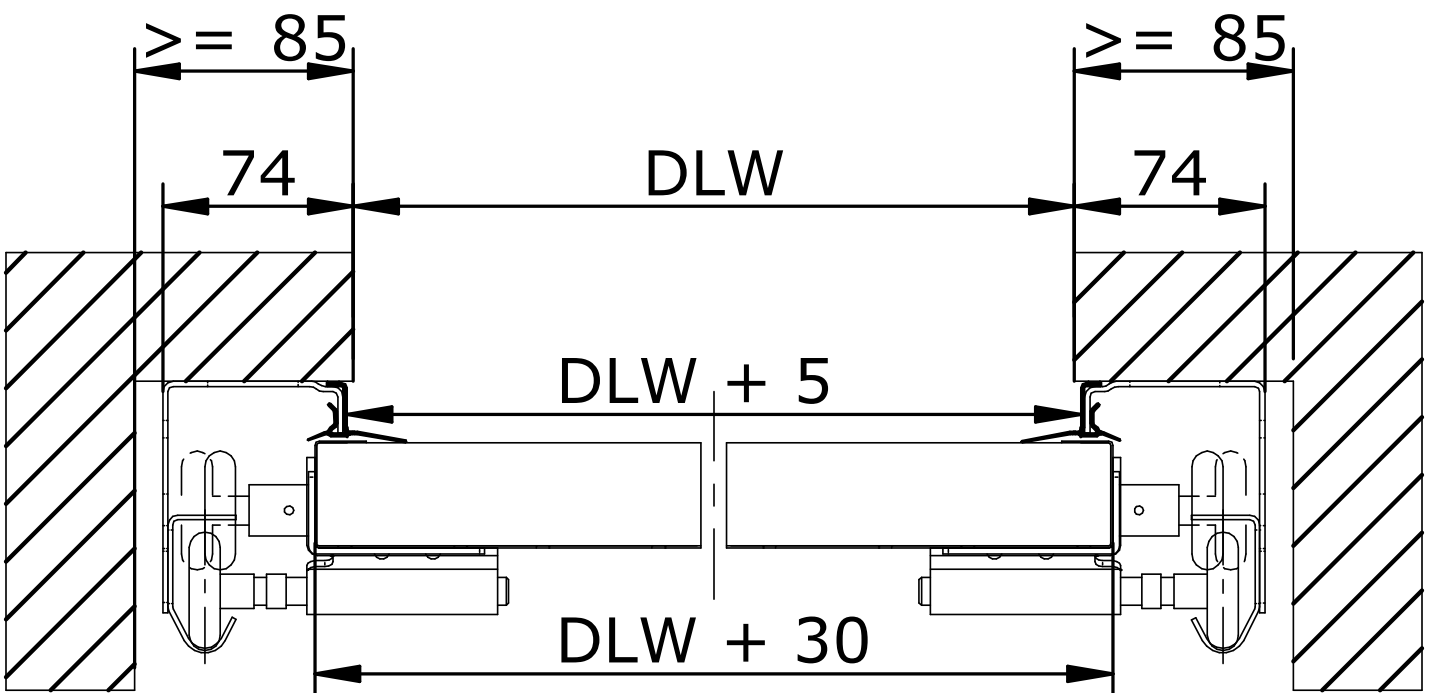
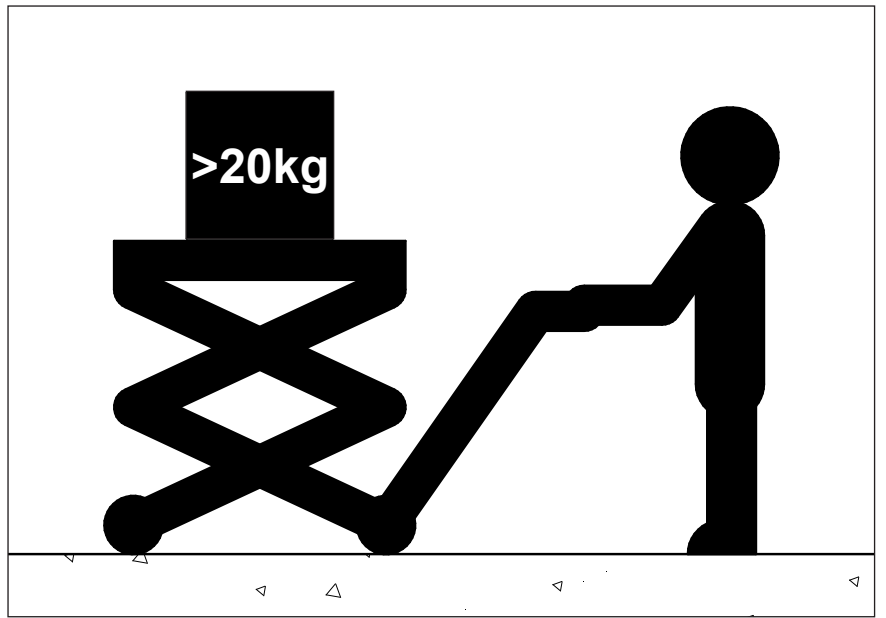
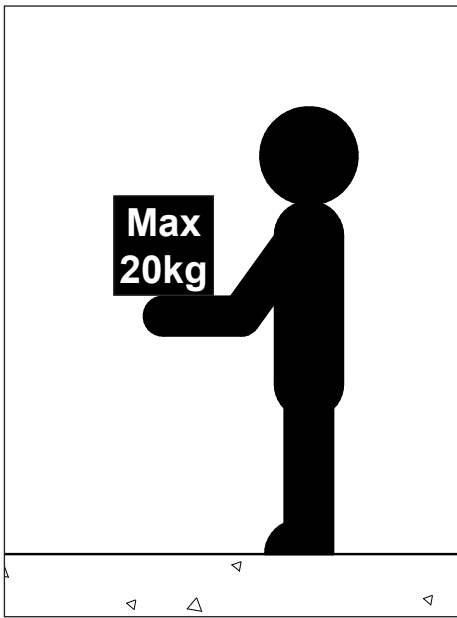
G100

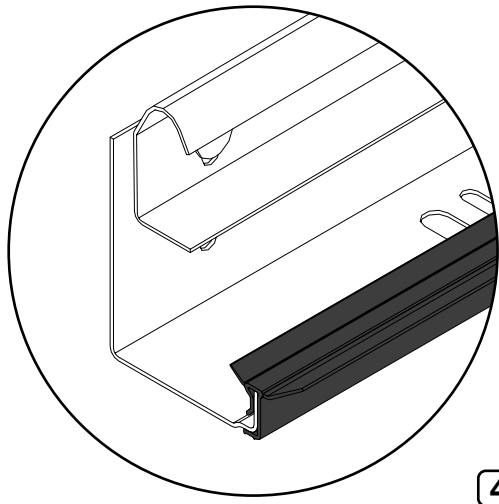


R60



A	B	C	D	E
DLW	DLH	FHR	FSR	FMD
Dagmaat breedte	Dagmaat hoogte	Vrije bovenruimte	Vrije zijruimte	Inbouwdiepte
Day Light Width	Day Light Height	Free Head Room	Free Side Room	Free Mounting Dept
Tageslichtebreite	Tageslichtehöhe	Sturzfreiraum	Freie Seitenraum	Freie Einbautiefe
Largeur de bai	Hauteur de baie	Linteau disponible	Ecoinçons Recuis	Recul
Lățime Gol	Înălțime Gol	Buiandrug Liber	Spațiul Liber Lateral	Spațiul Liber în Adâncime
Szélesség	Magasság	Szabad szemöldök magasság	Szabad hely oldalt	Szabad beépítési mélység



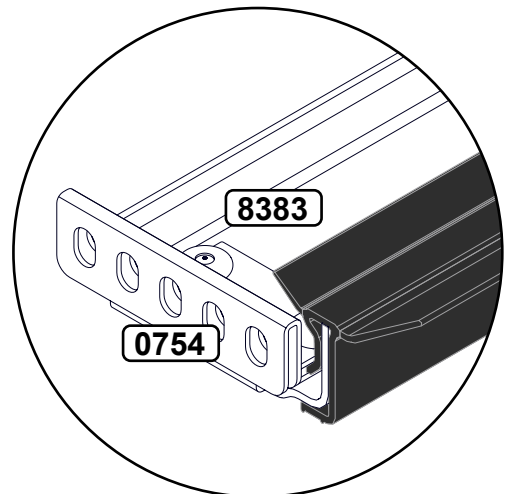
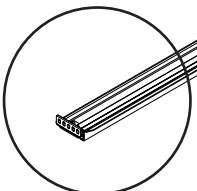


4022-0XXXX

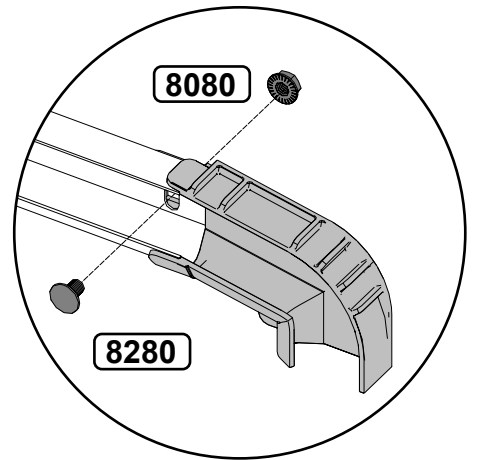
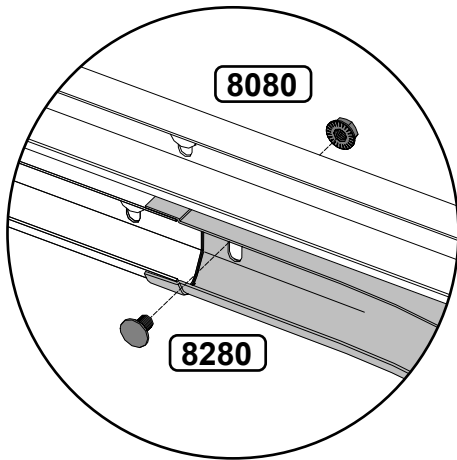
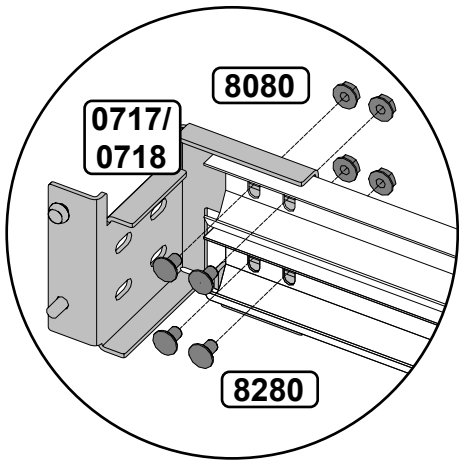
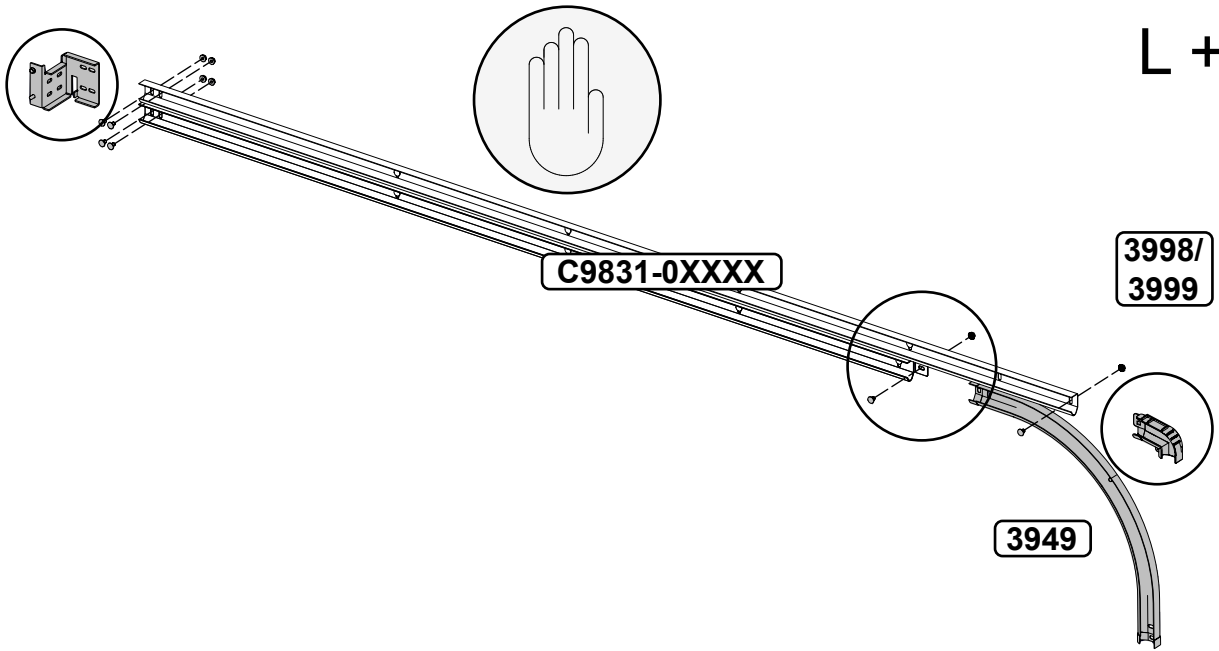
C9828-0XXXX

4022-0XXXX

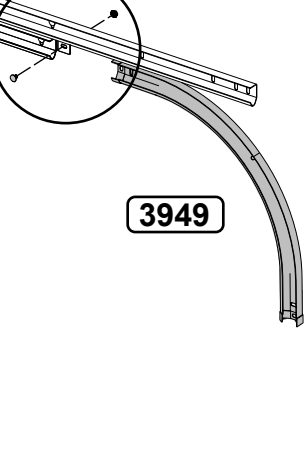
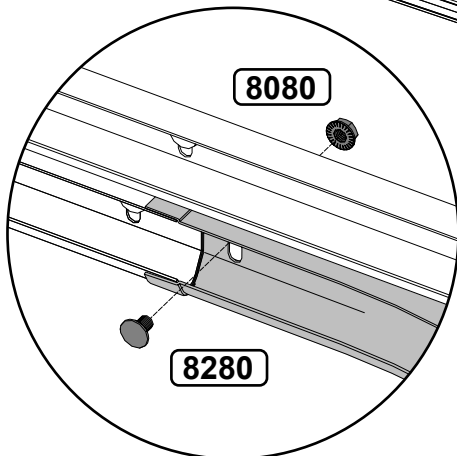
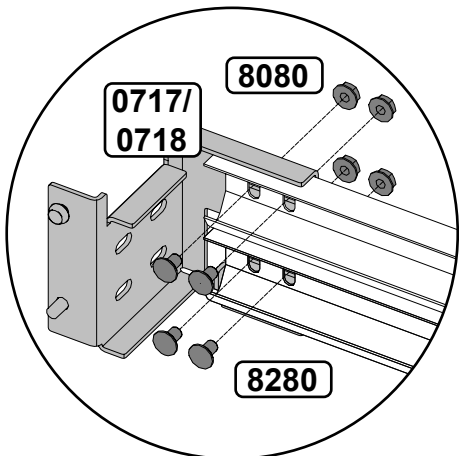
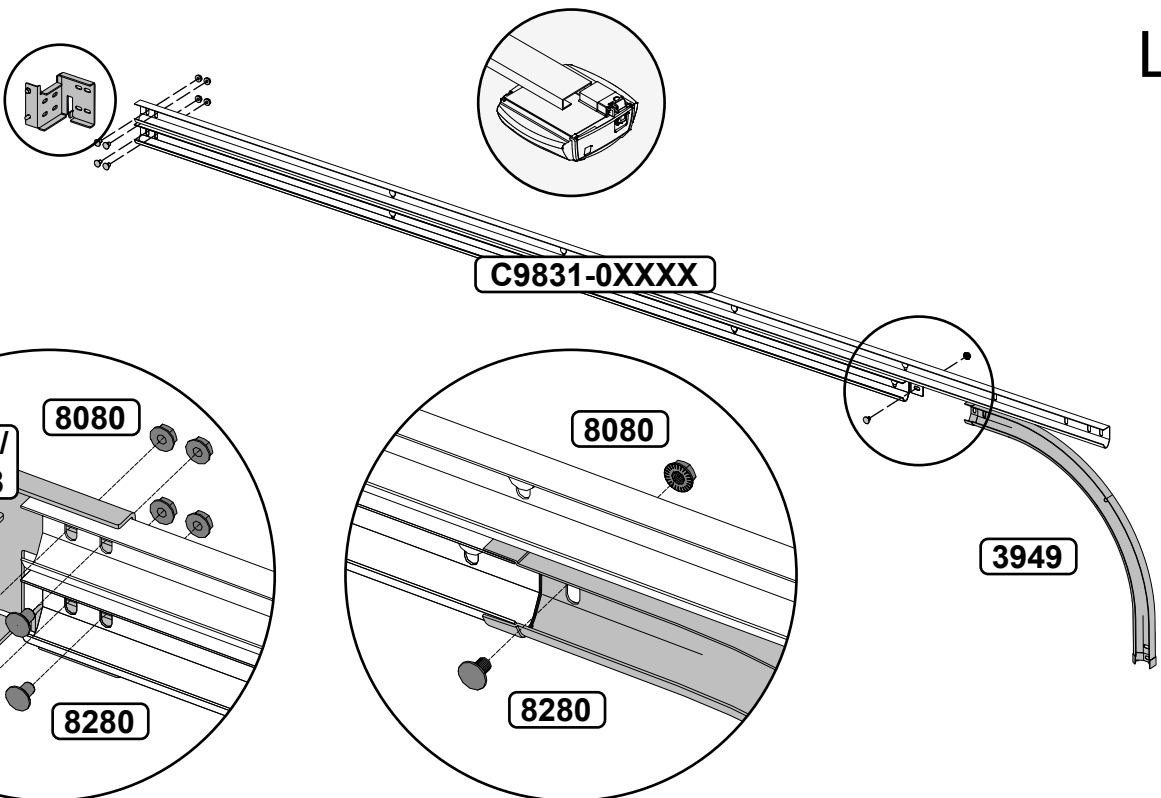
0740-0XXXX

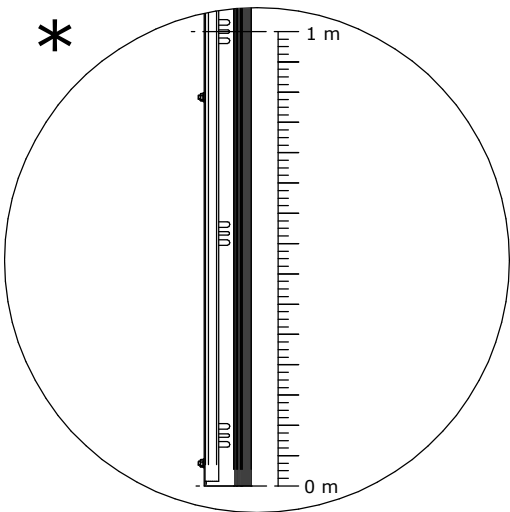
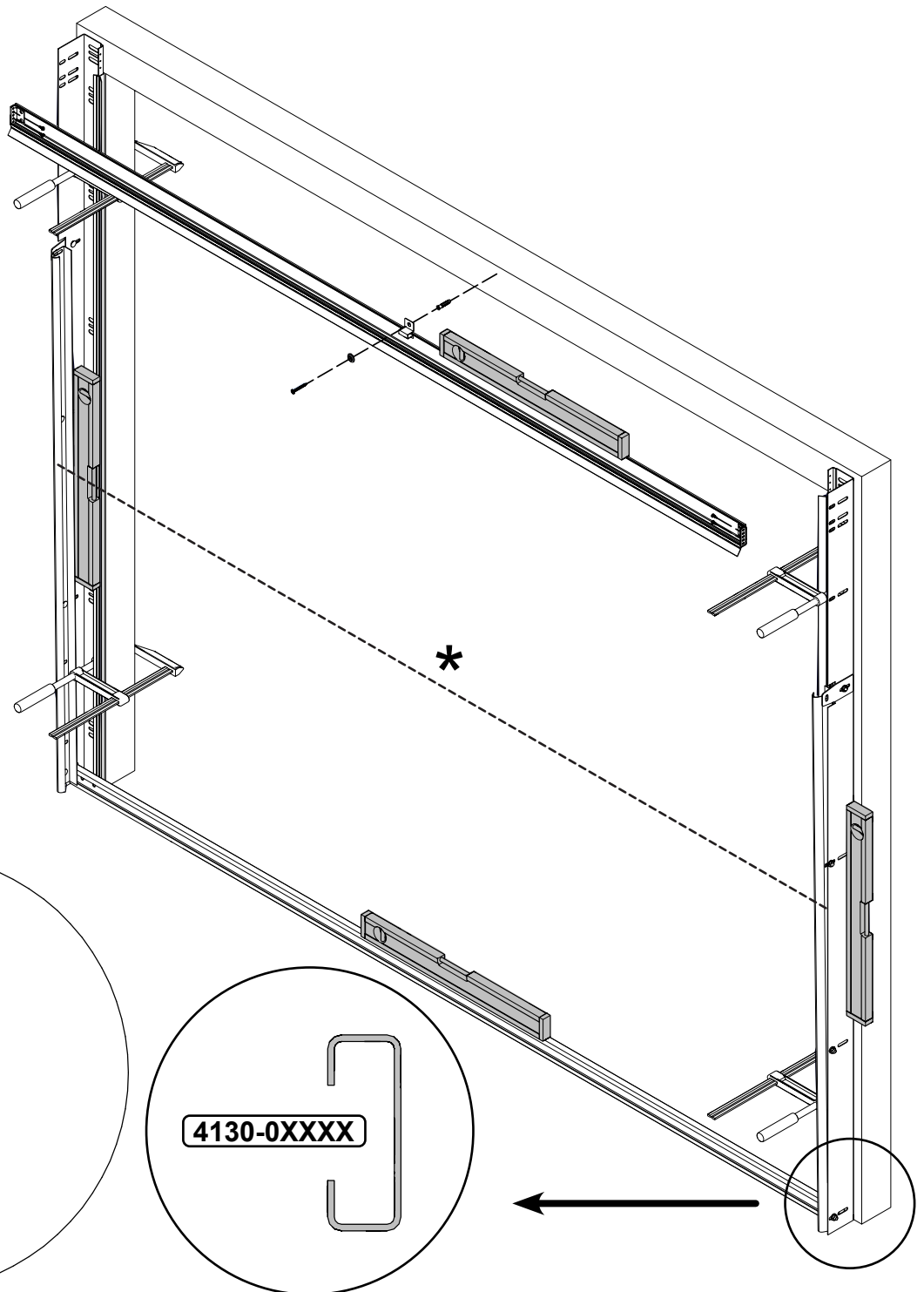
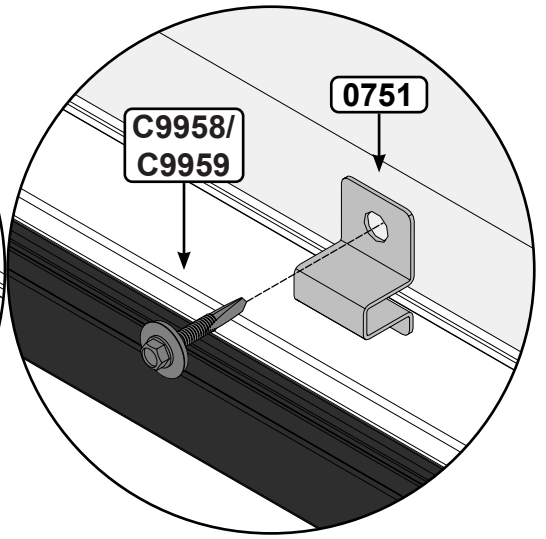
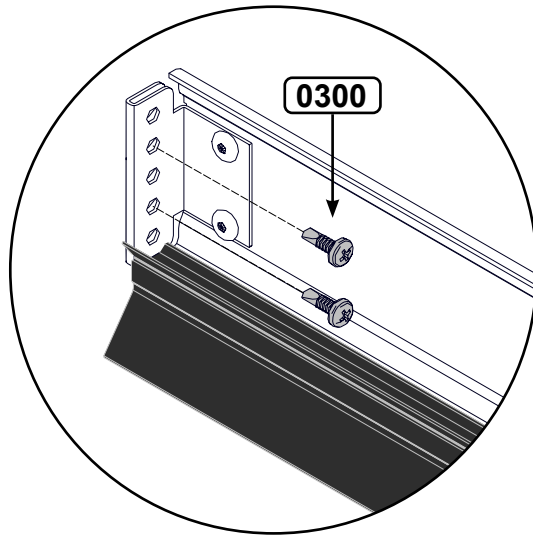


L + R

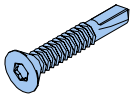


L + R



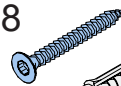


Ø6

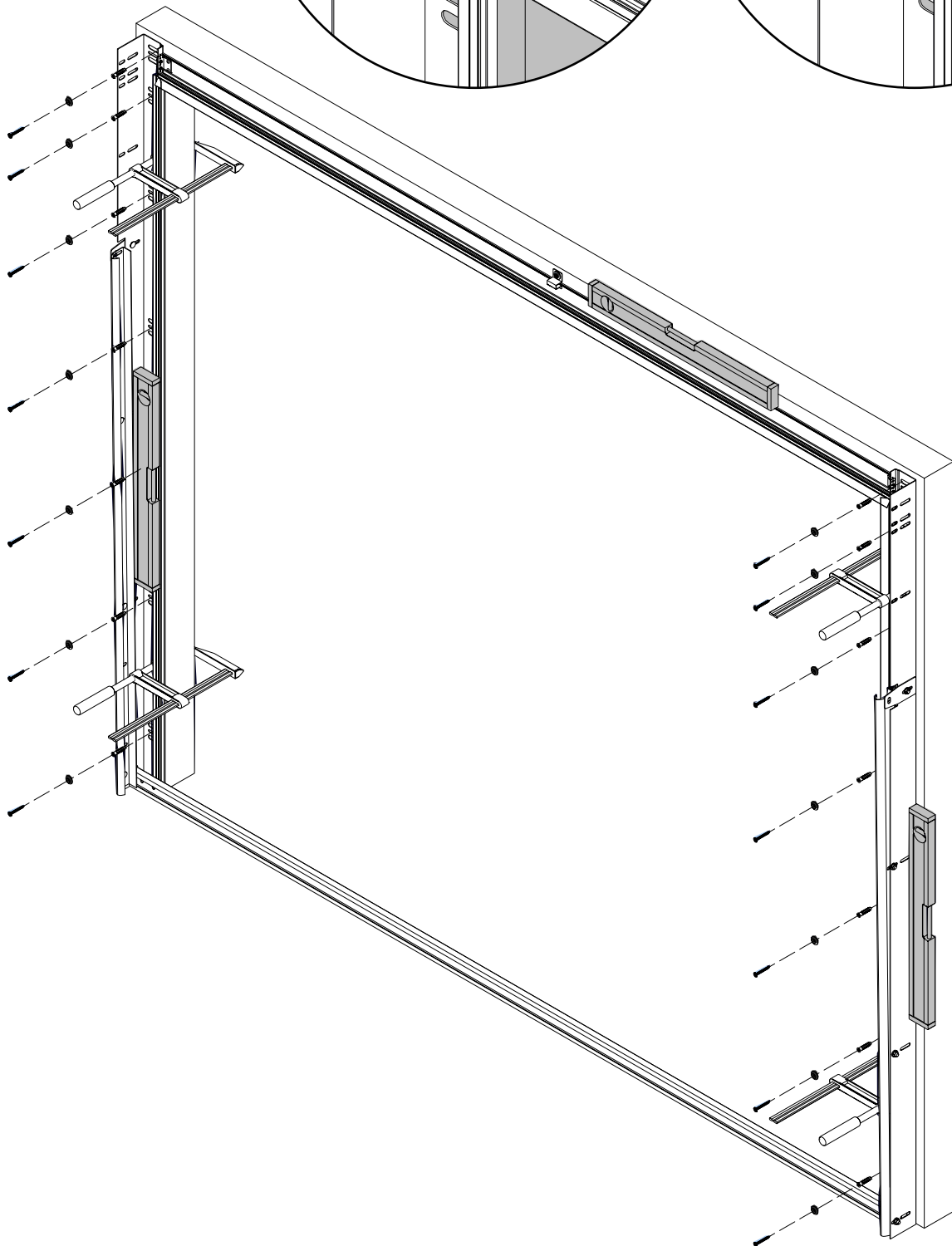
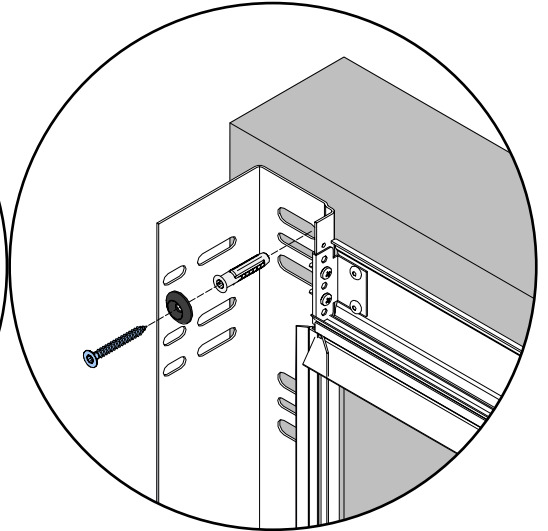
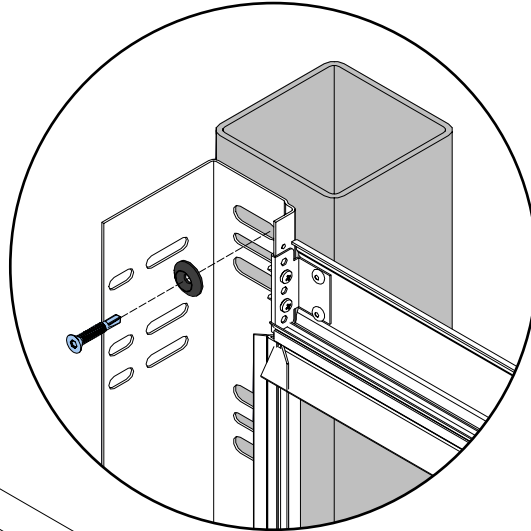


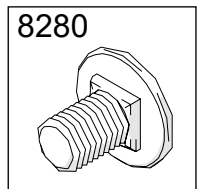
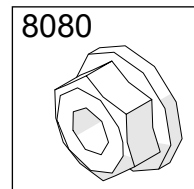
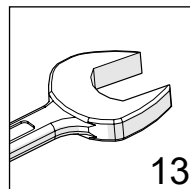
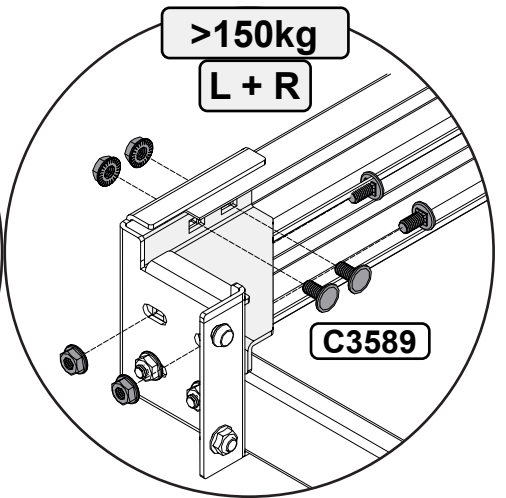
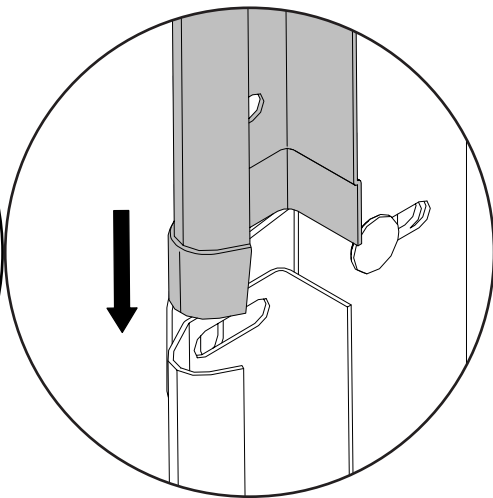
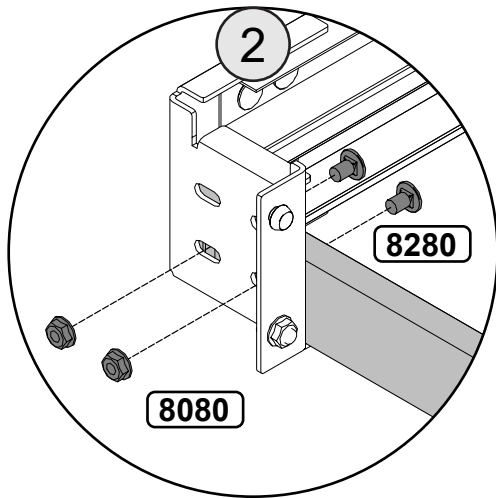
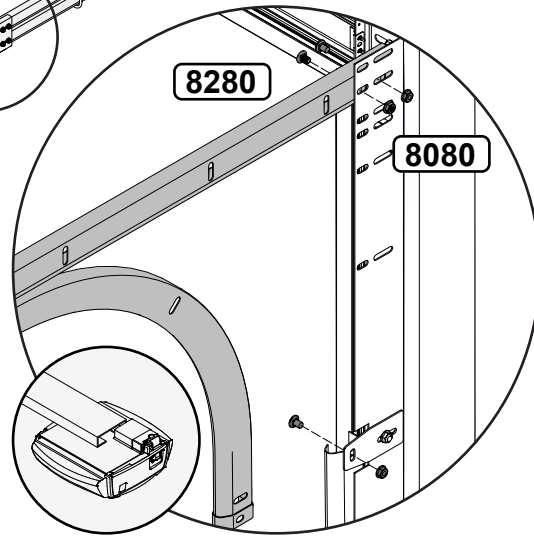
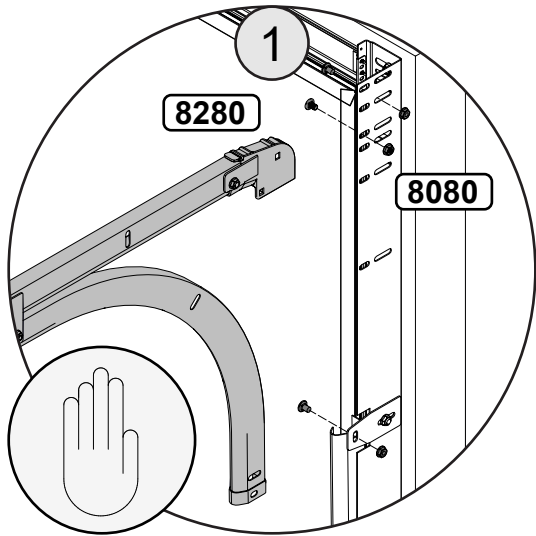
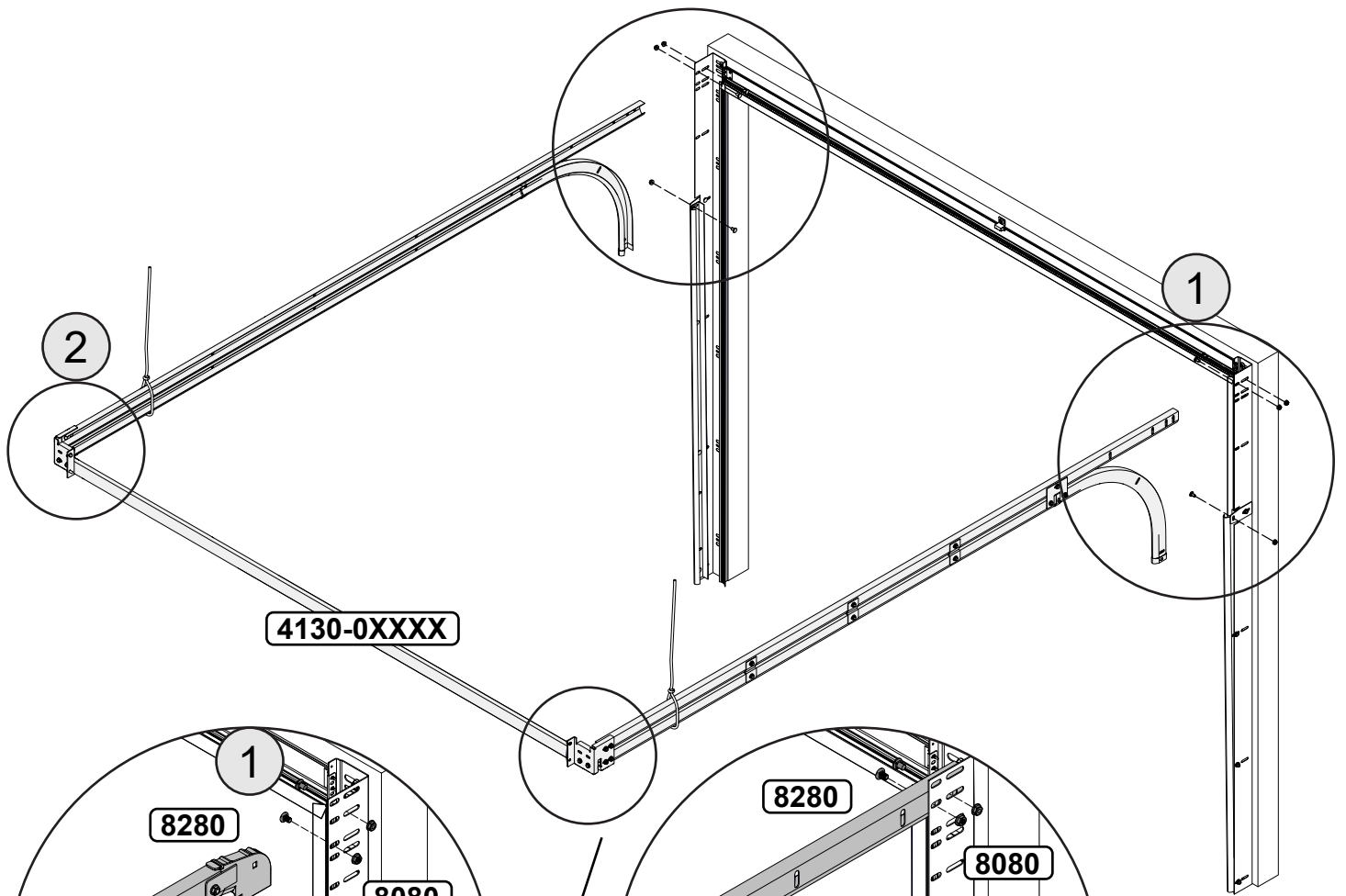
C9958

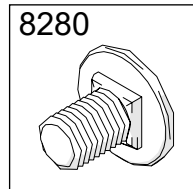
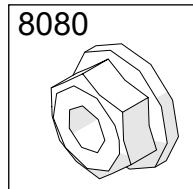
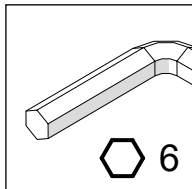
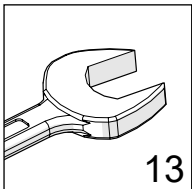
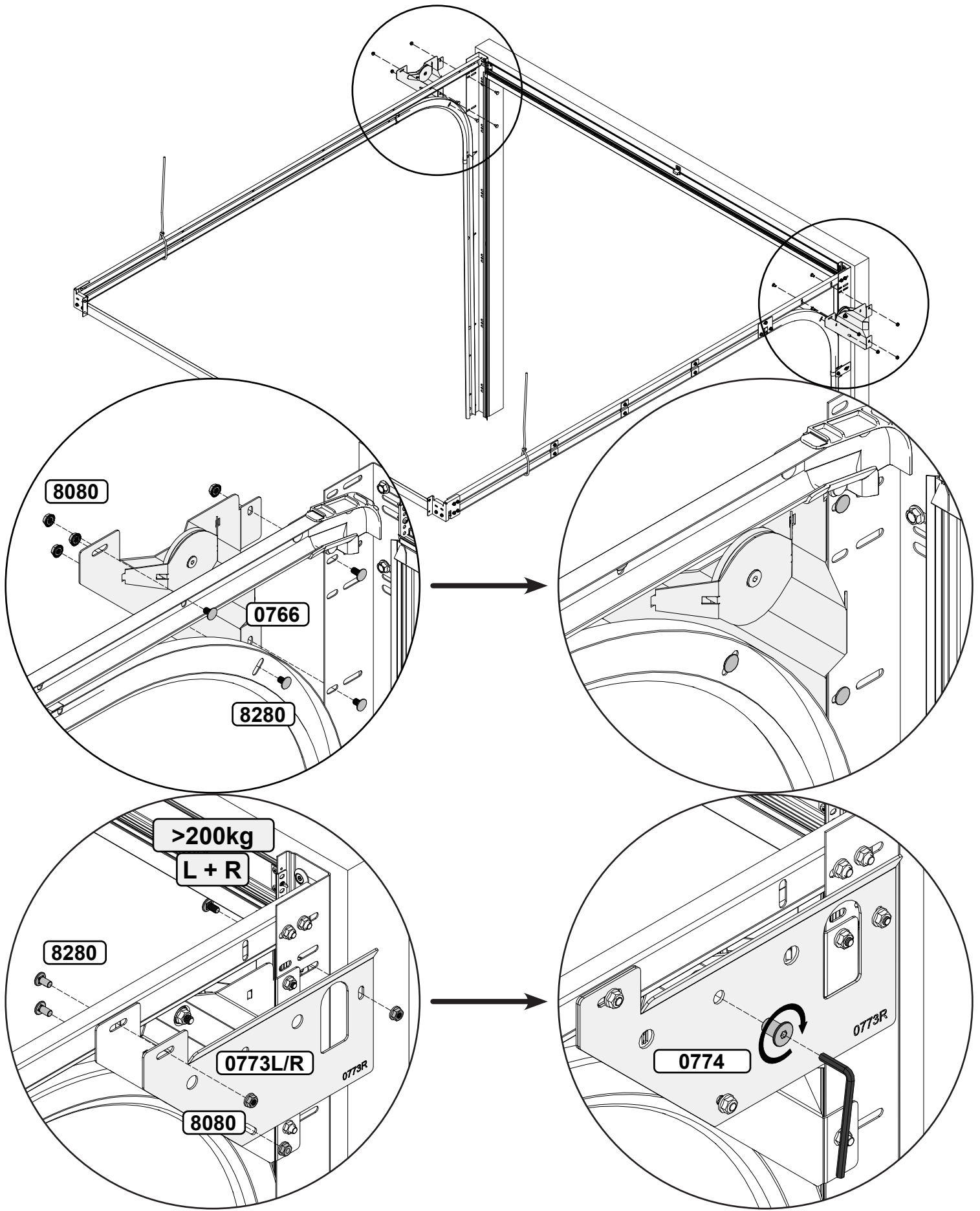
Ø8

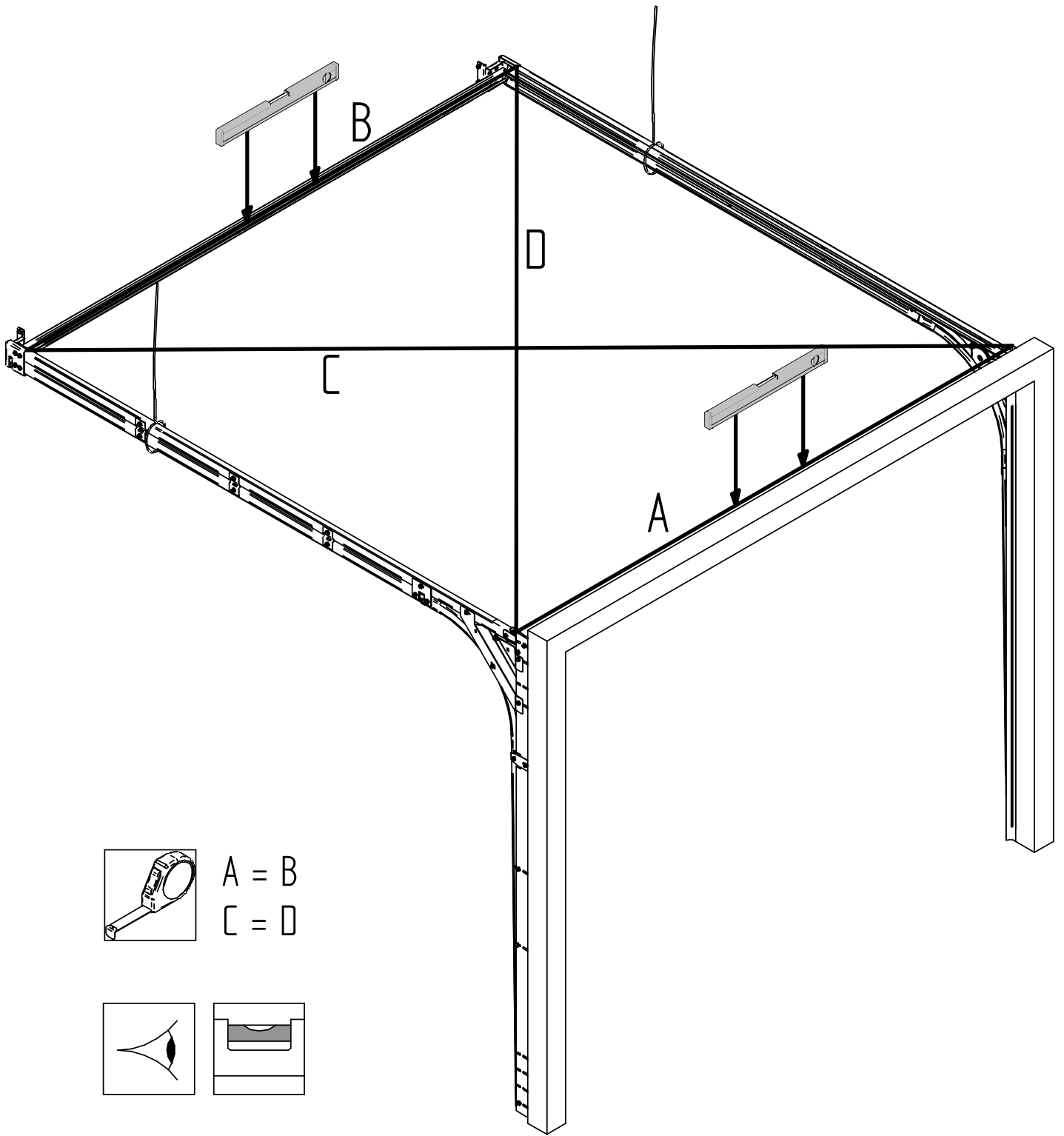


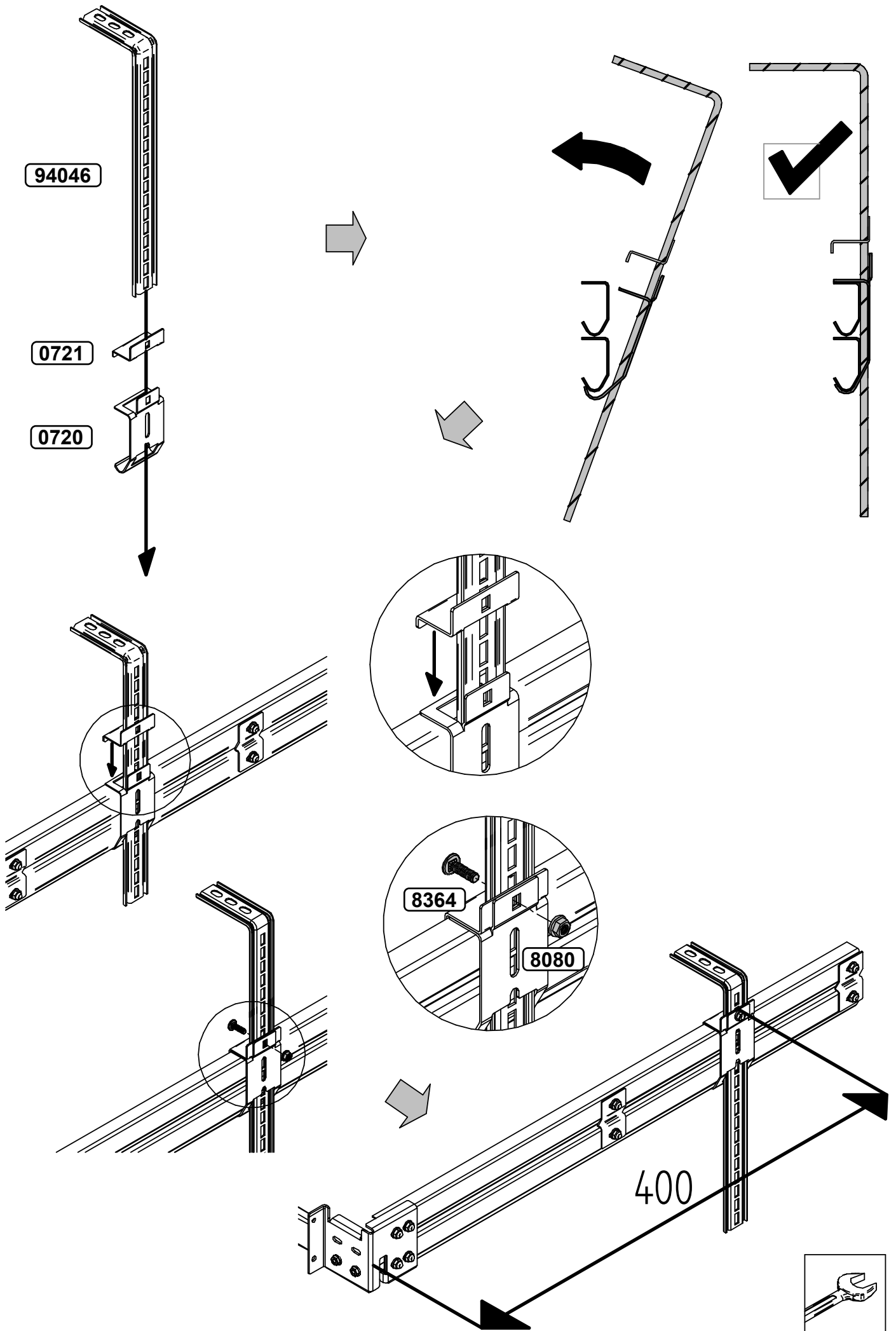
C9959

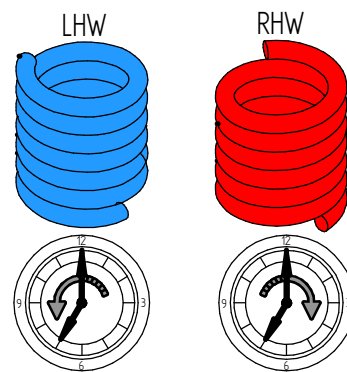
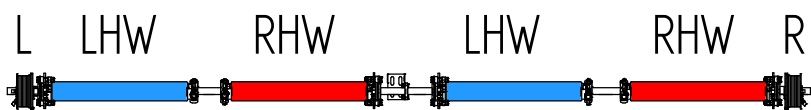
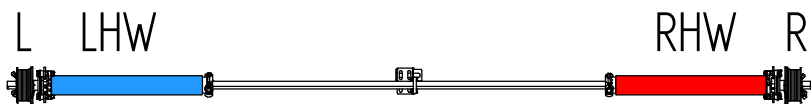




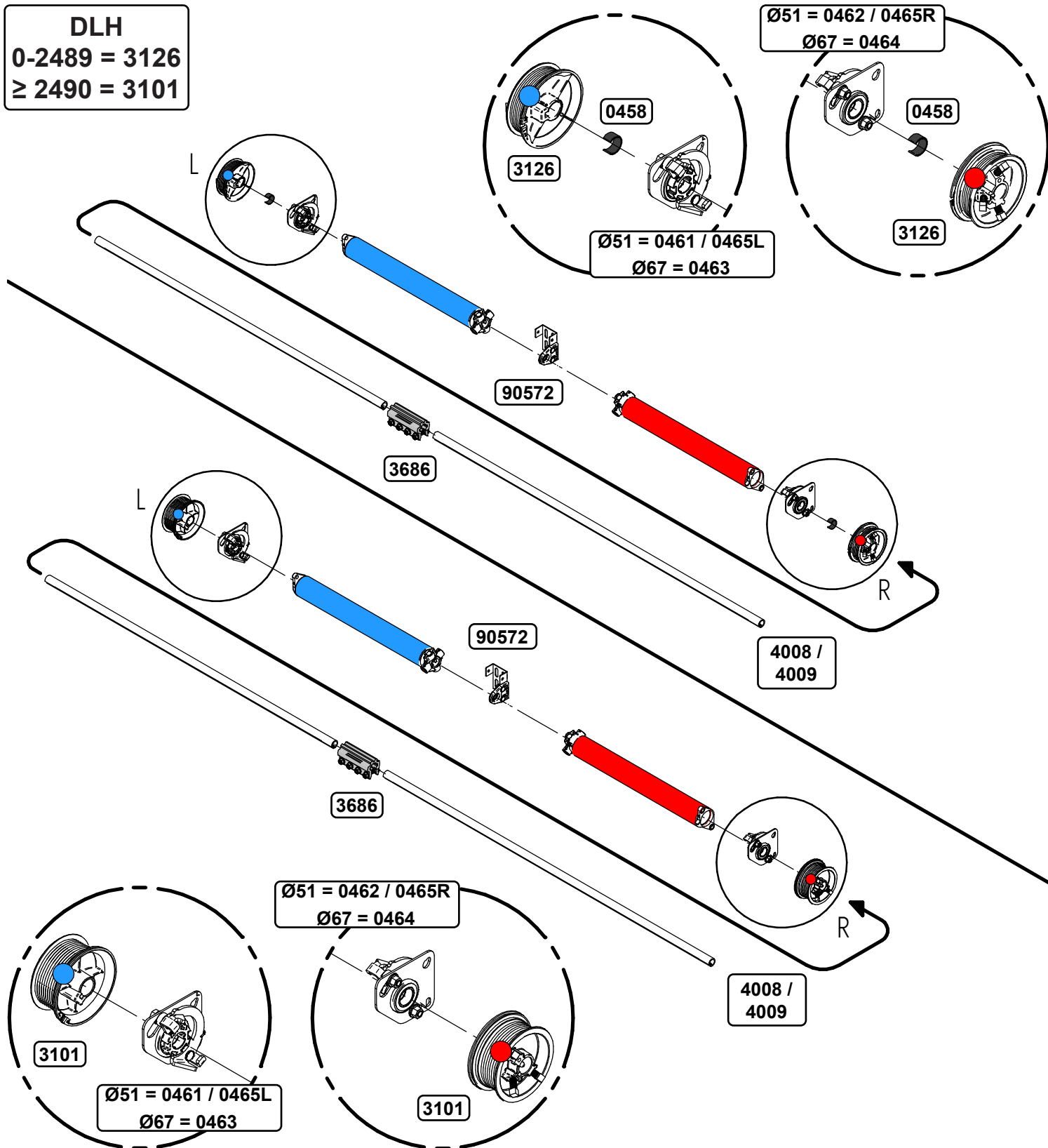


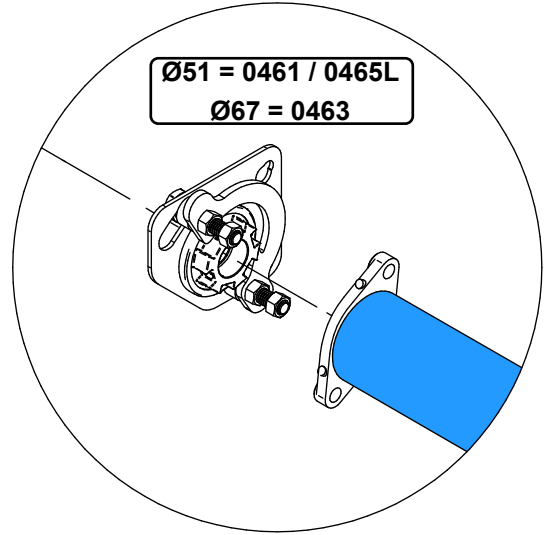
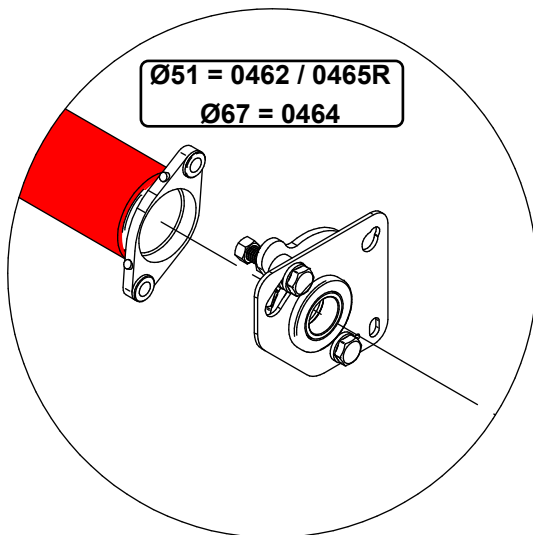
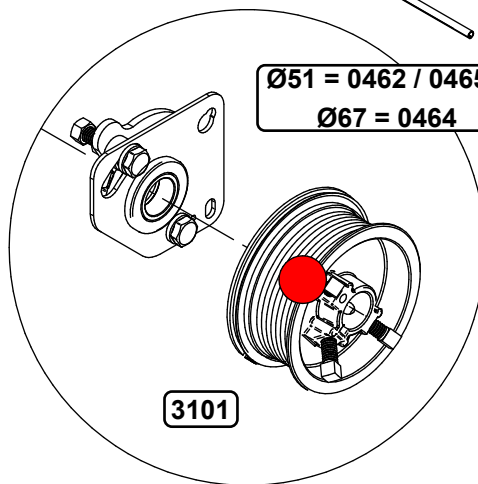
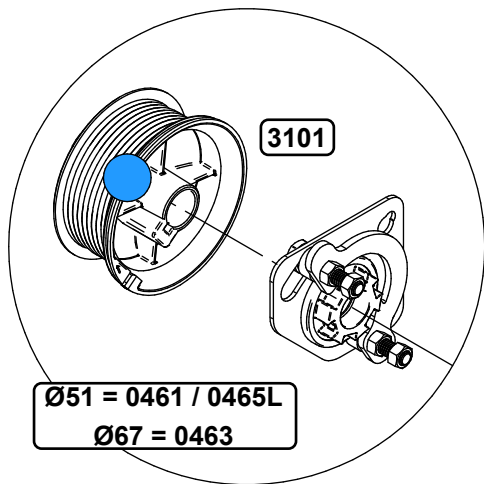
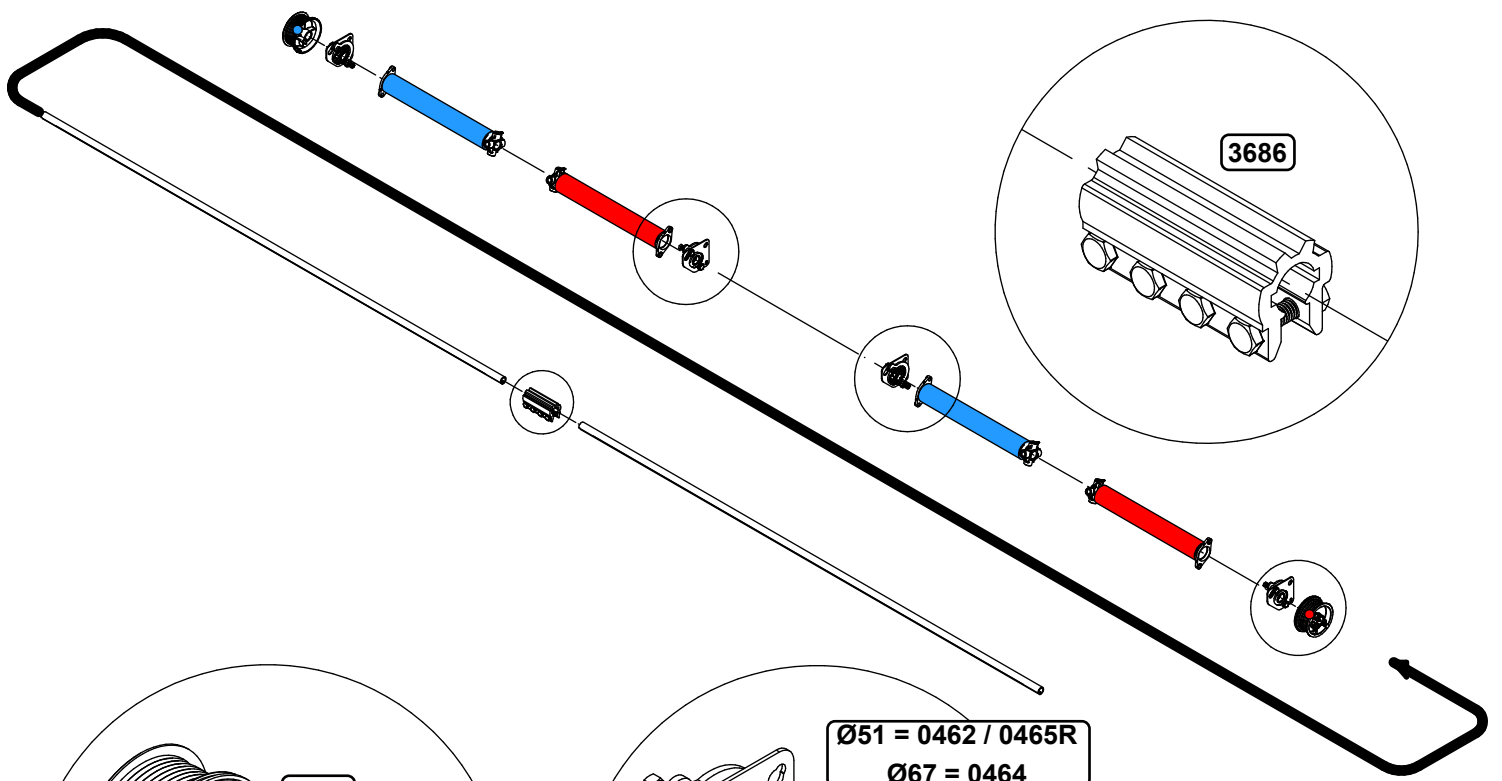


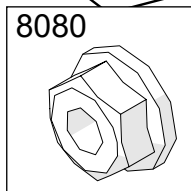
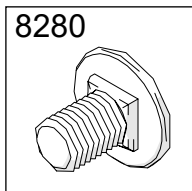
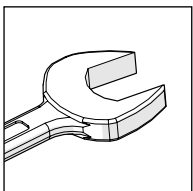
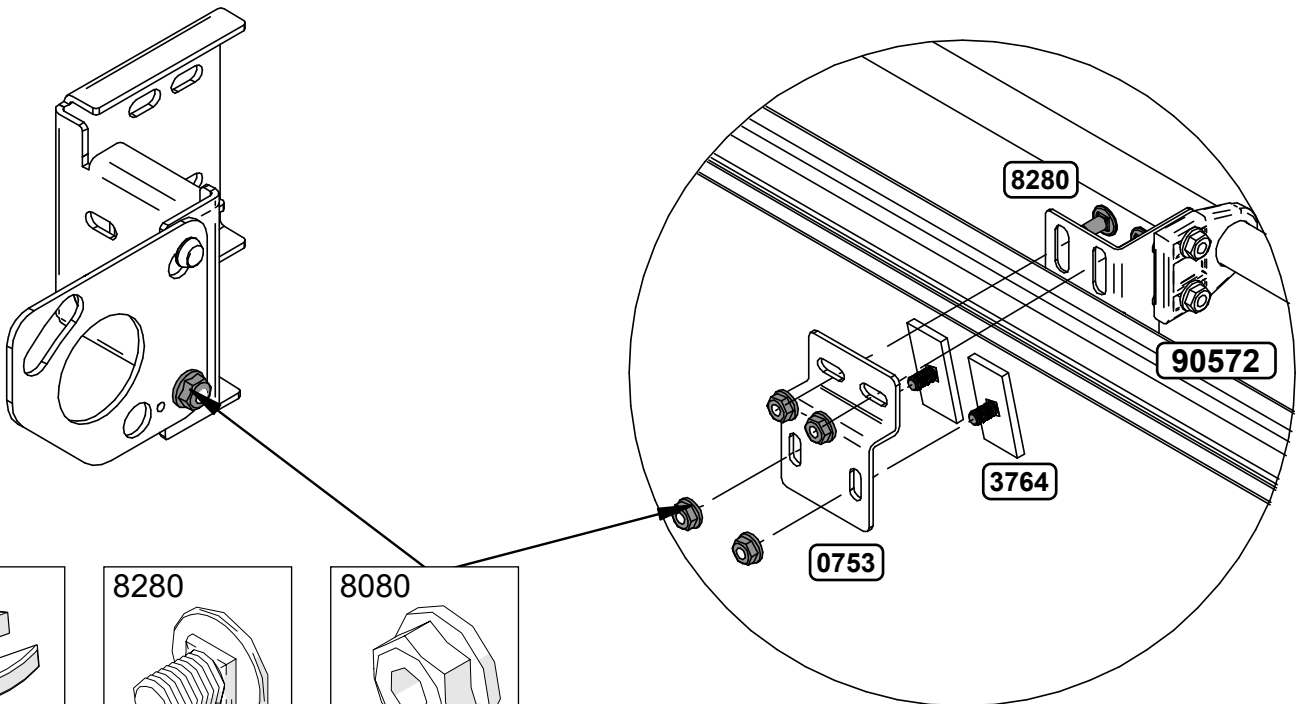
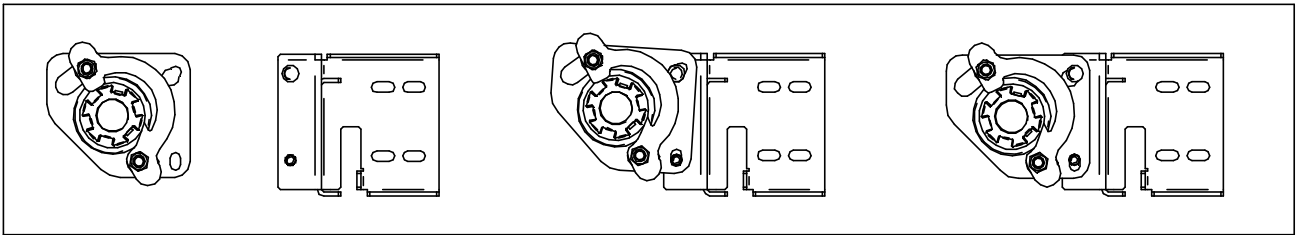
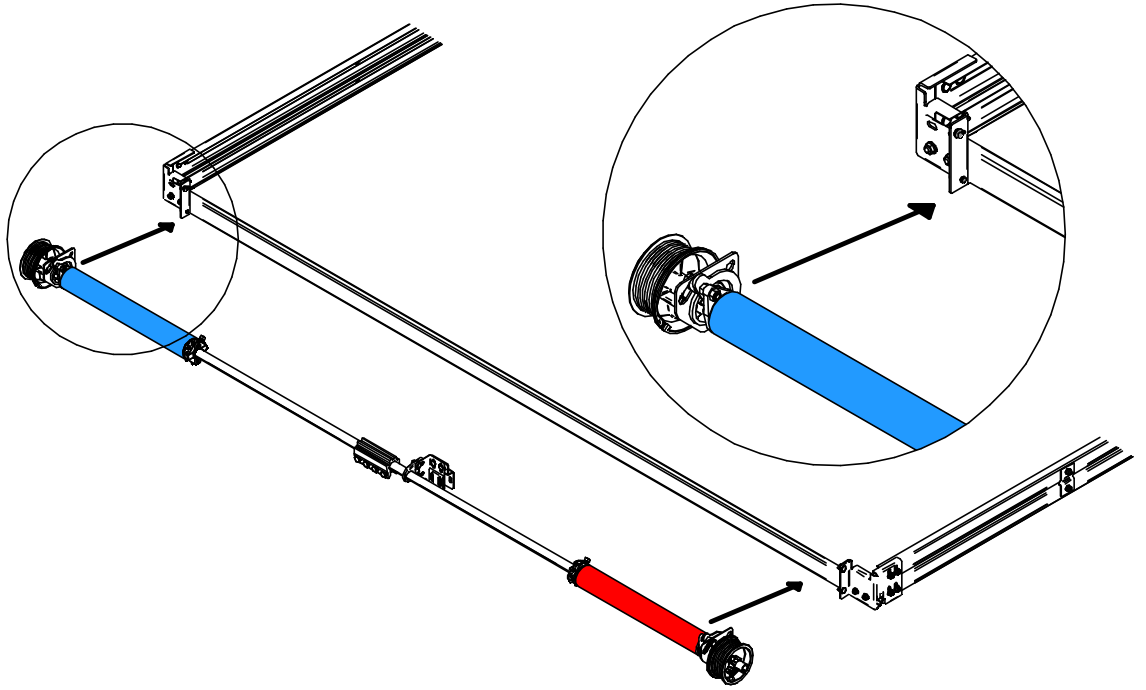
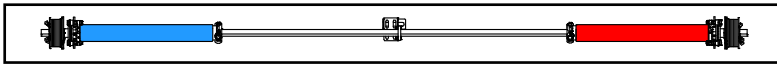


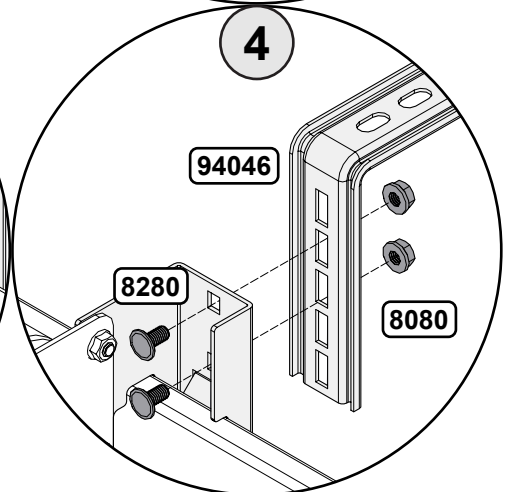
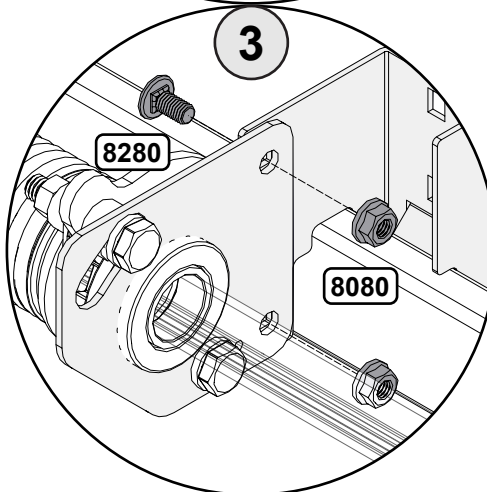
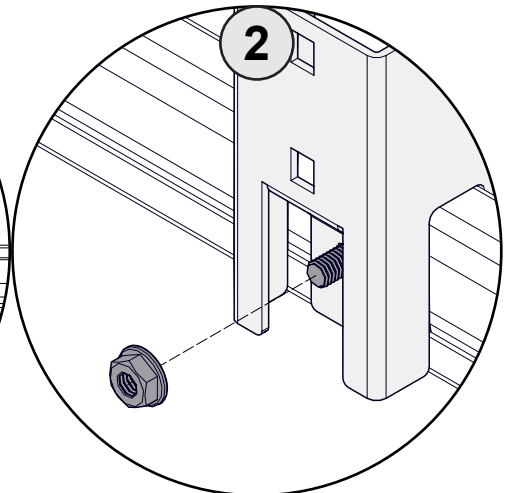
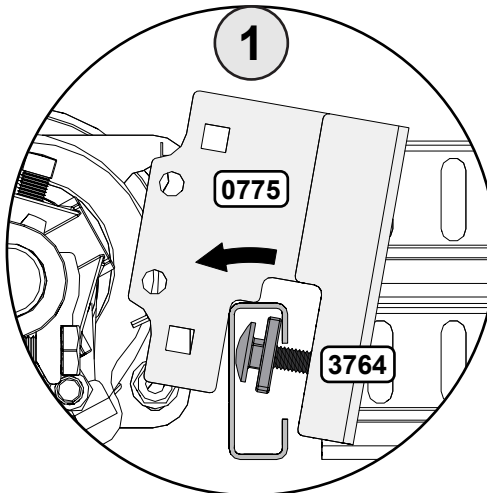
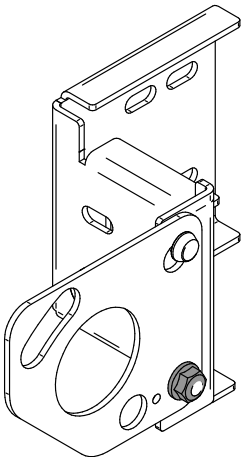
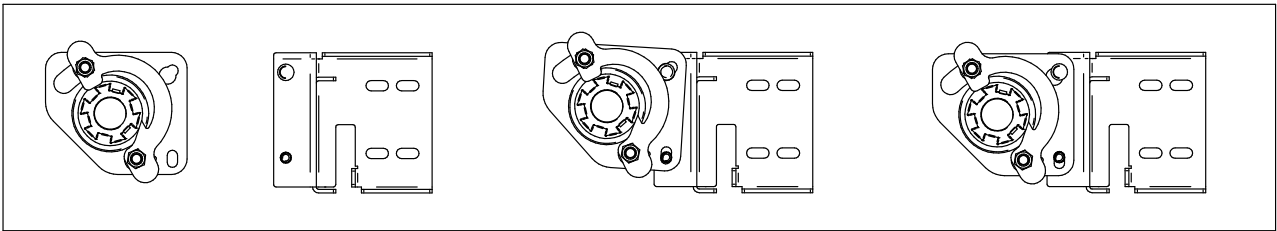
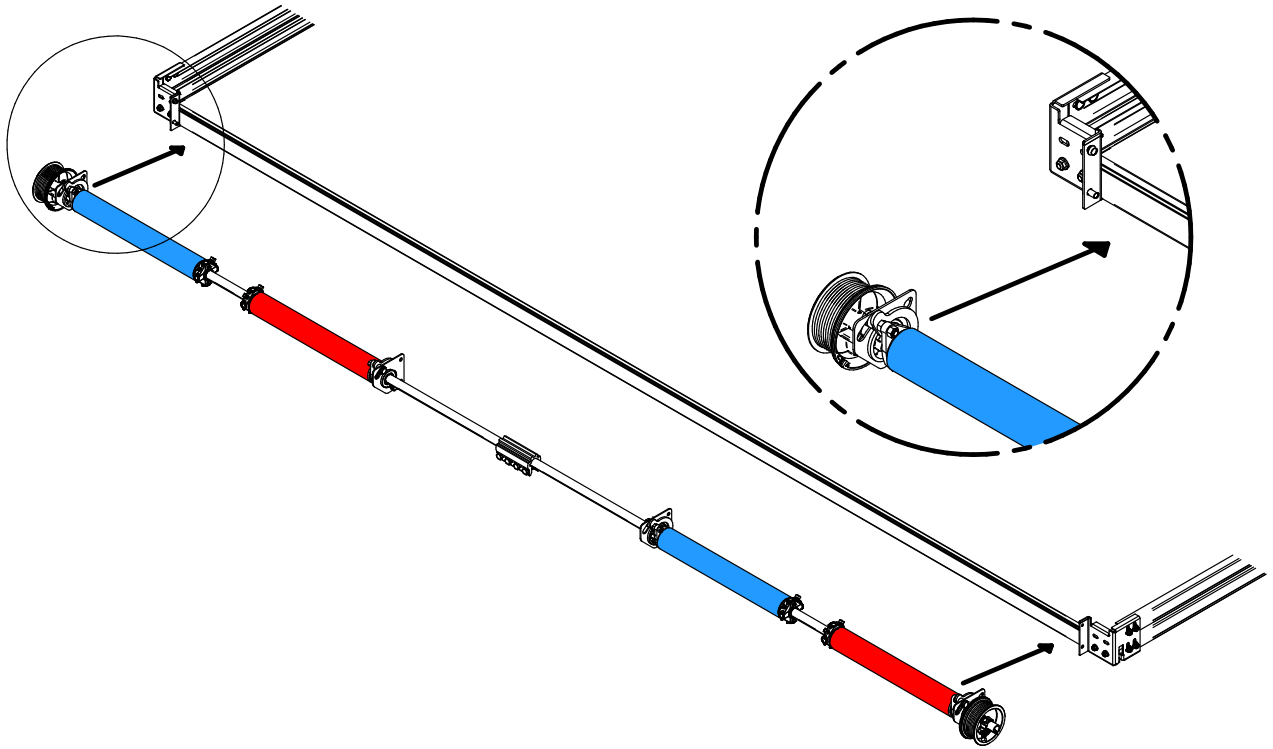
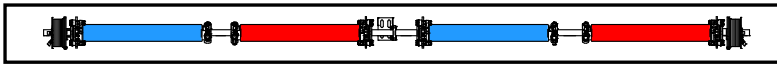


DLH
 0-2489 = 3126
 ≥ 2490 = 3101

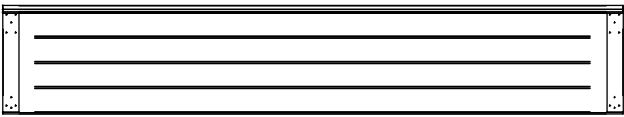








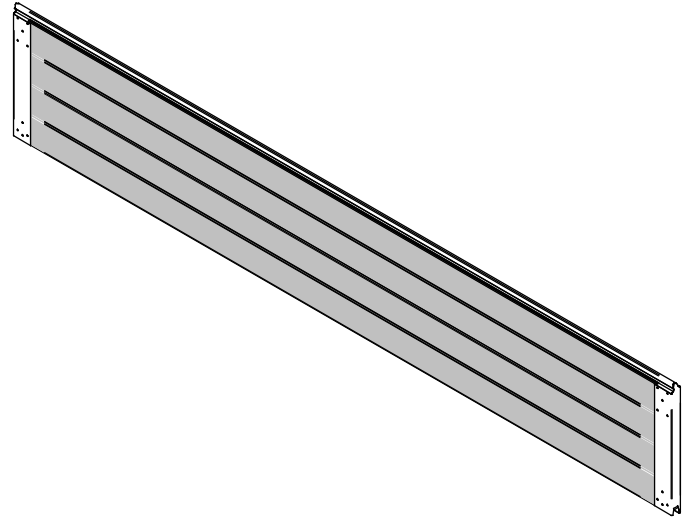
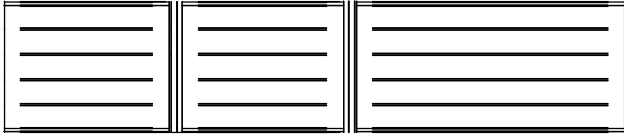
1



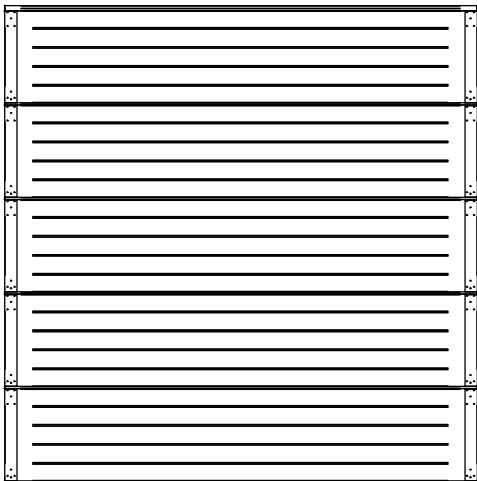
2



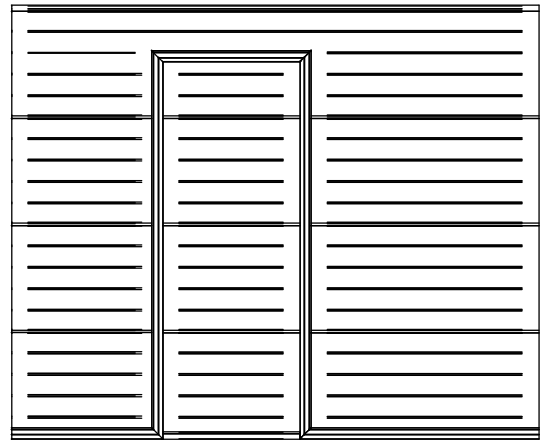
3



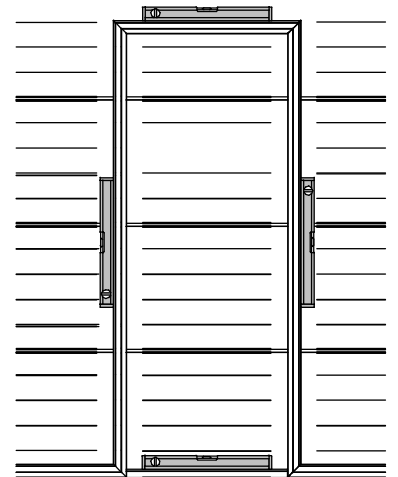
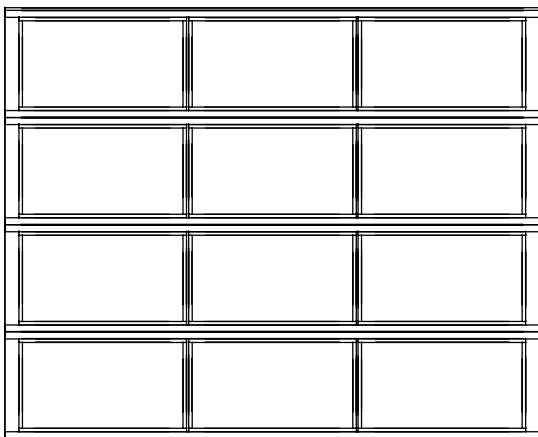
1

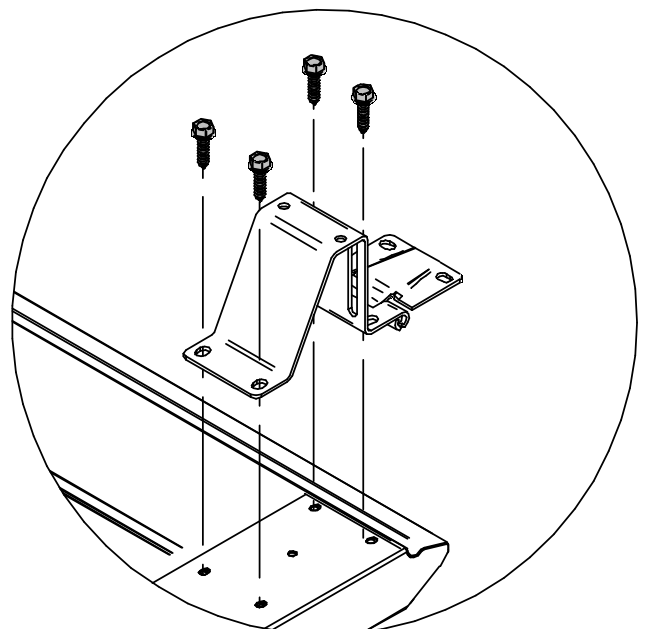
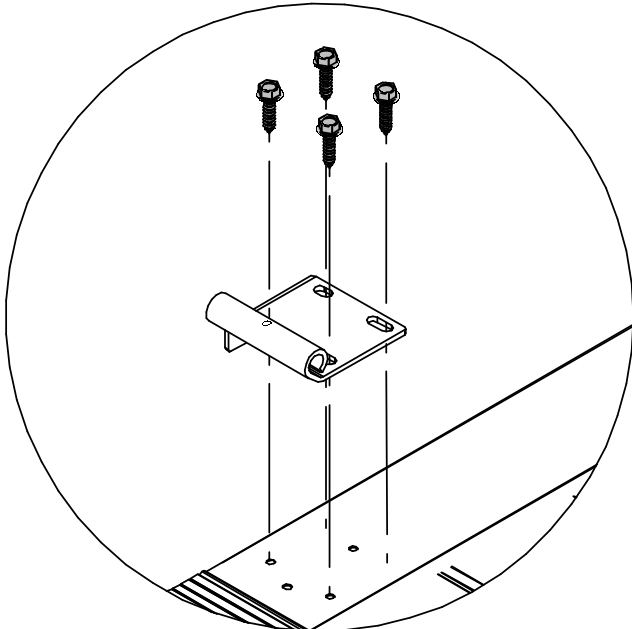
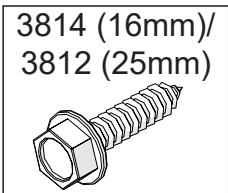
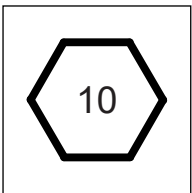
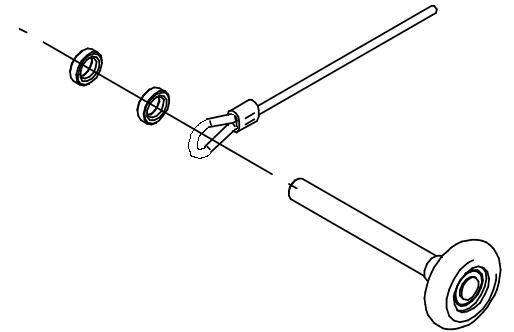
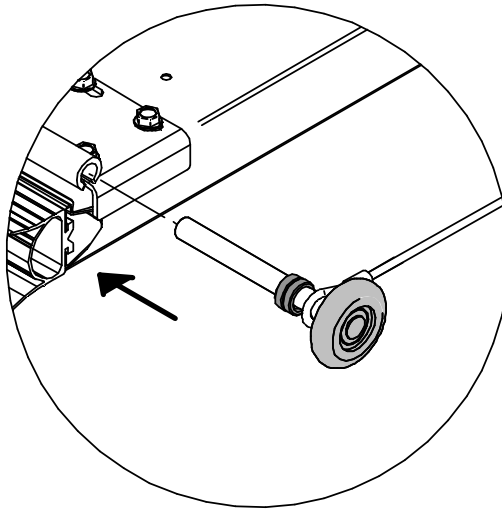
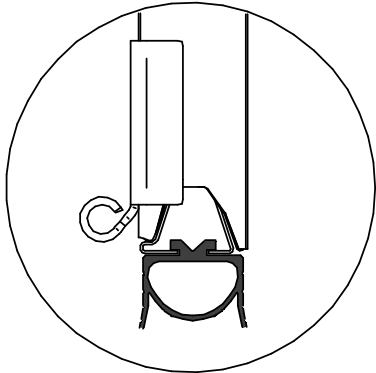
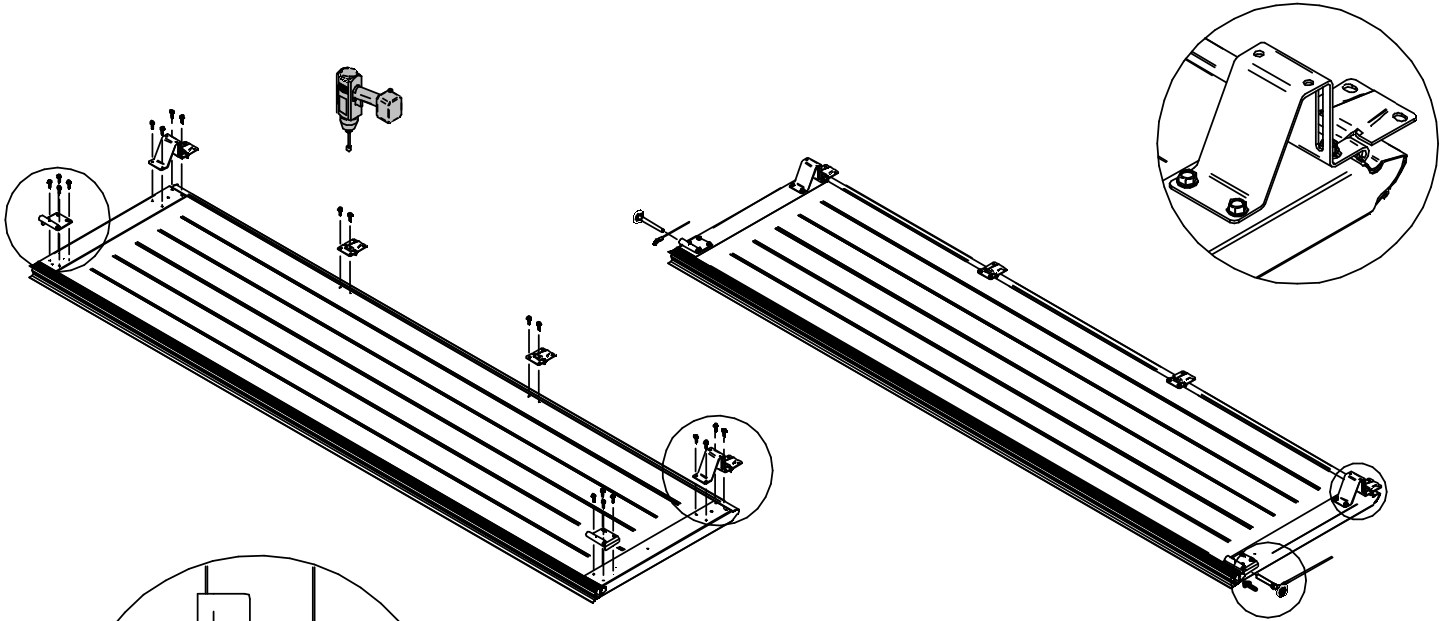
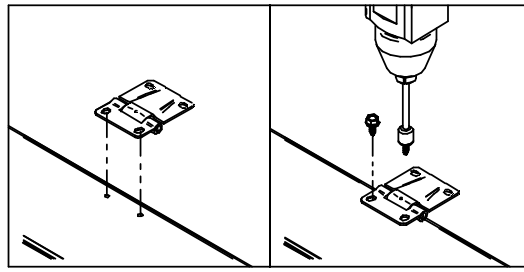
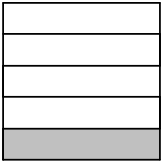


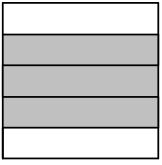
3



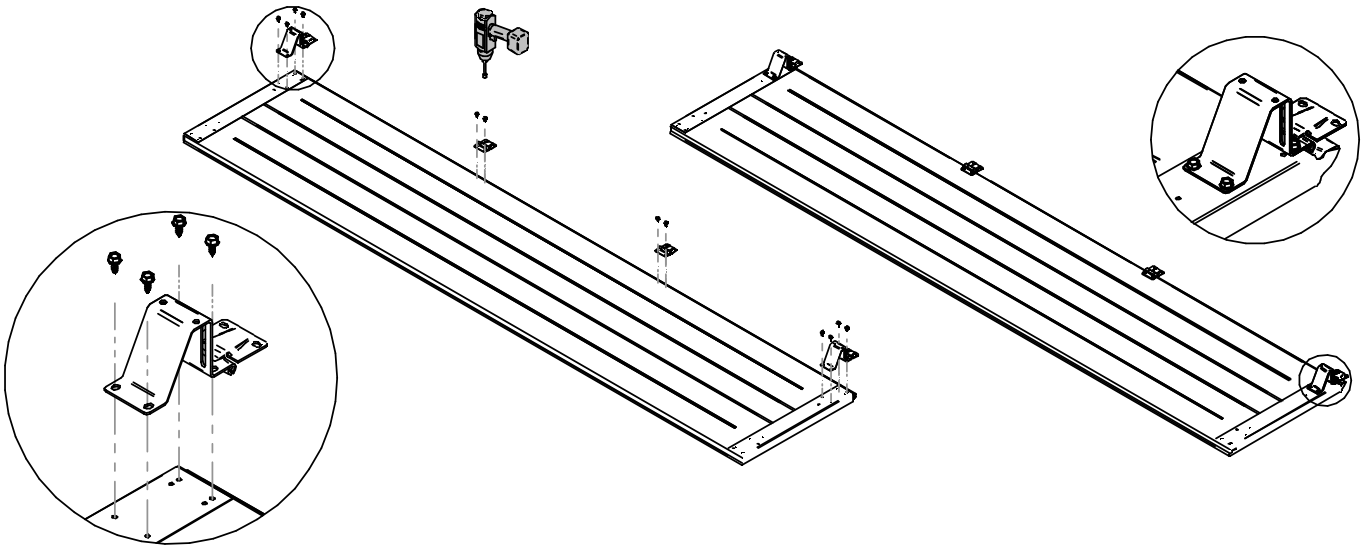
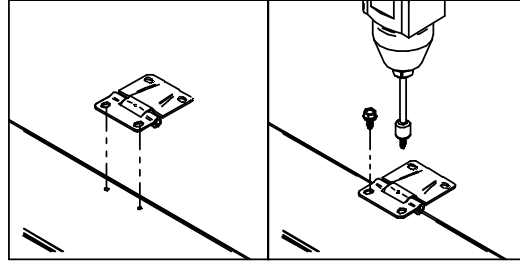
2



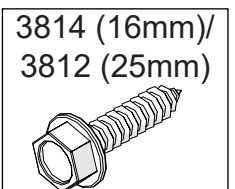
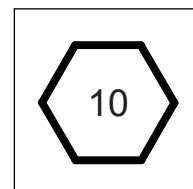
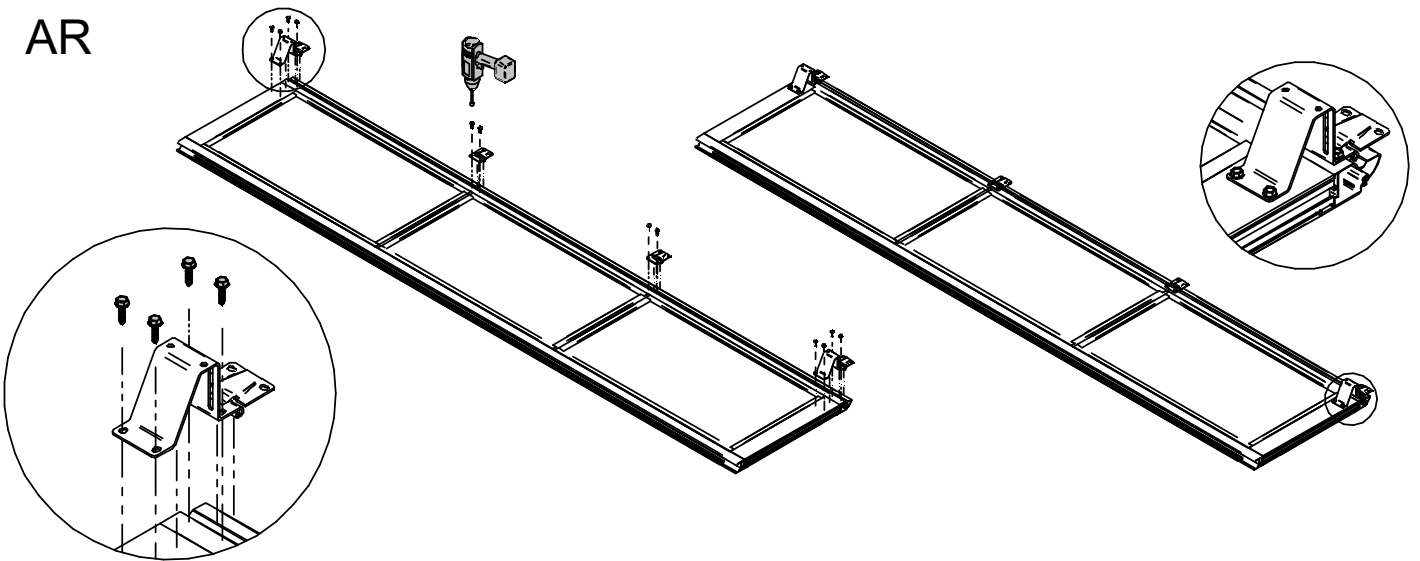


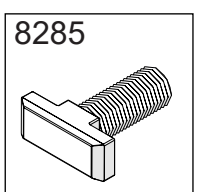
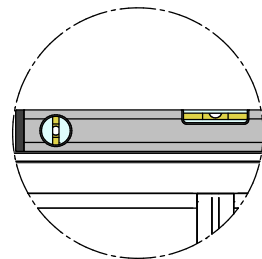
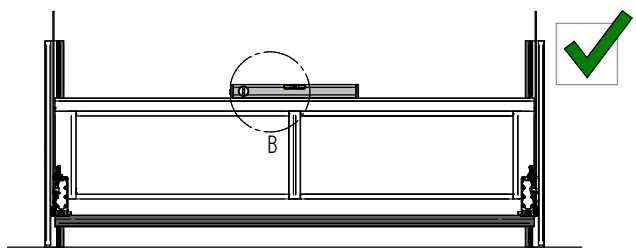
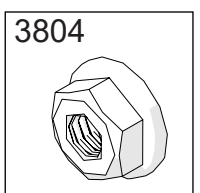
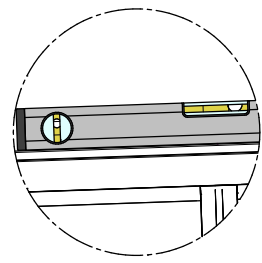
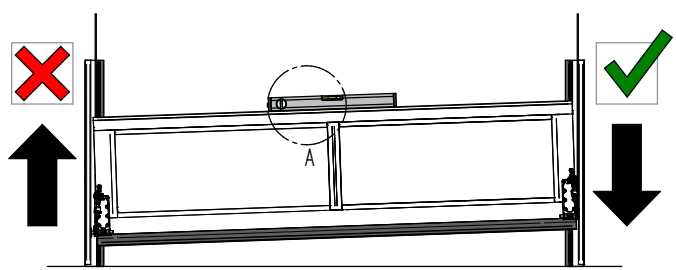
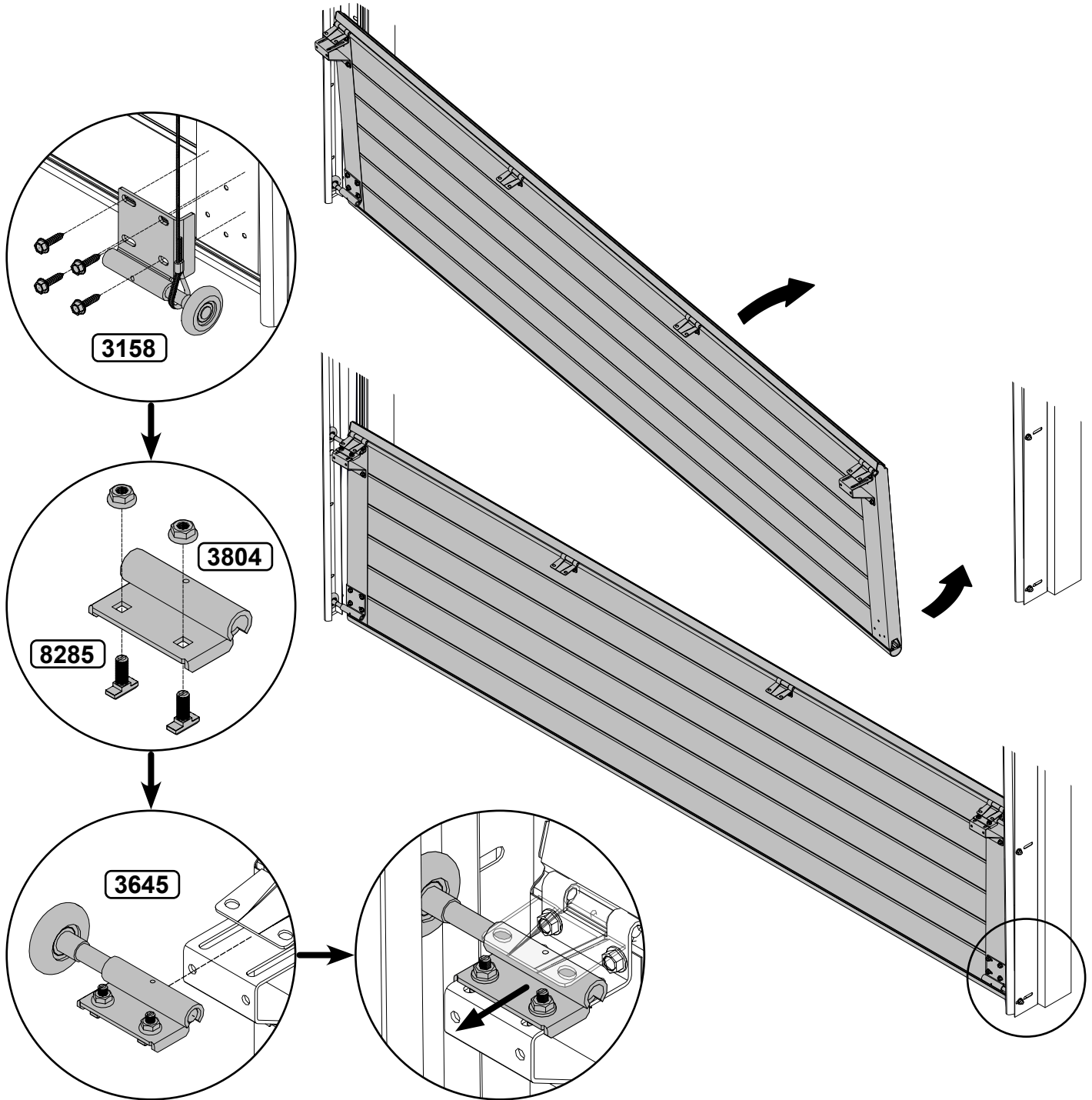


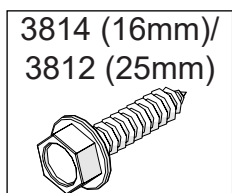
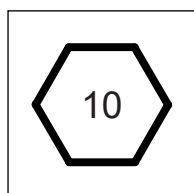
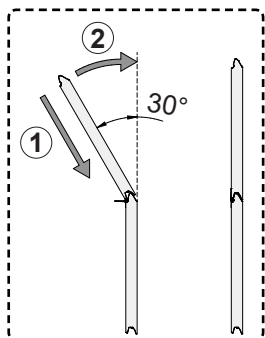
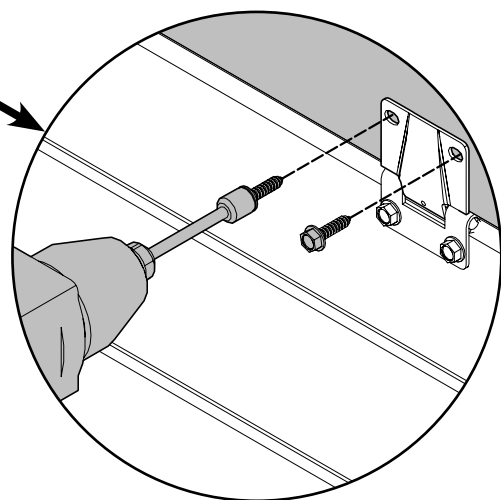
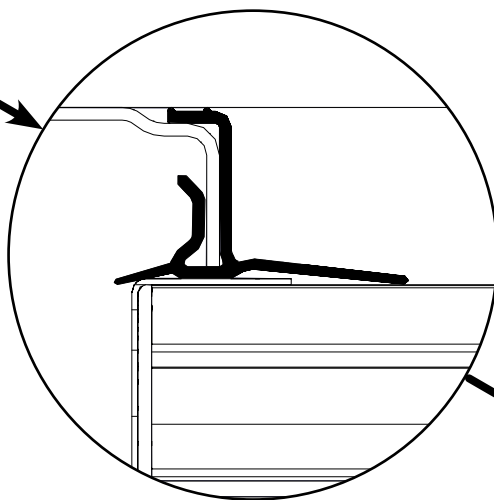
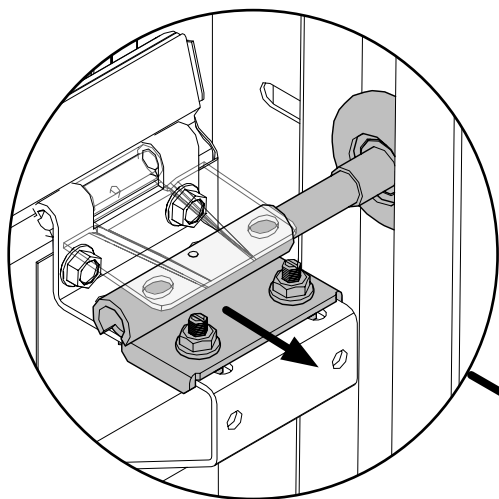
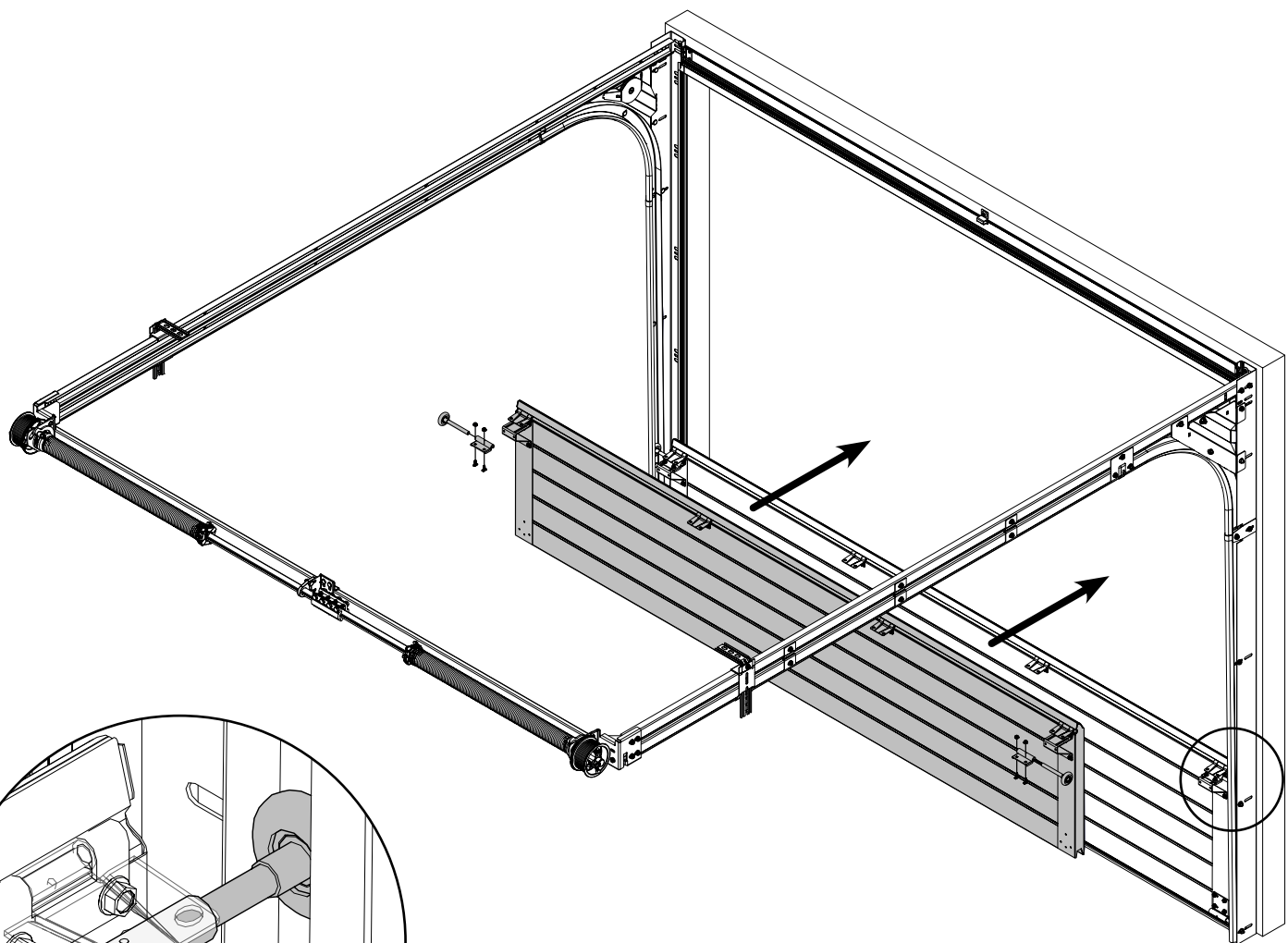
ST

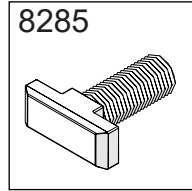
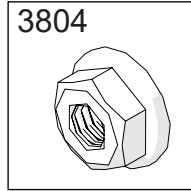
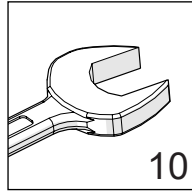
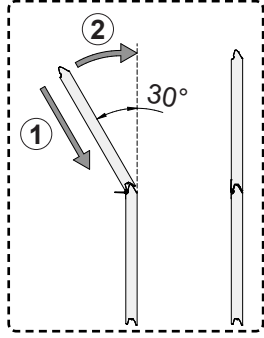
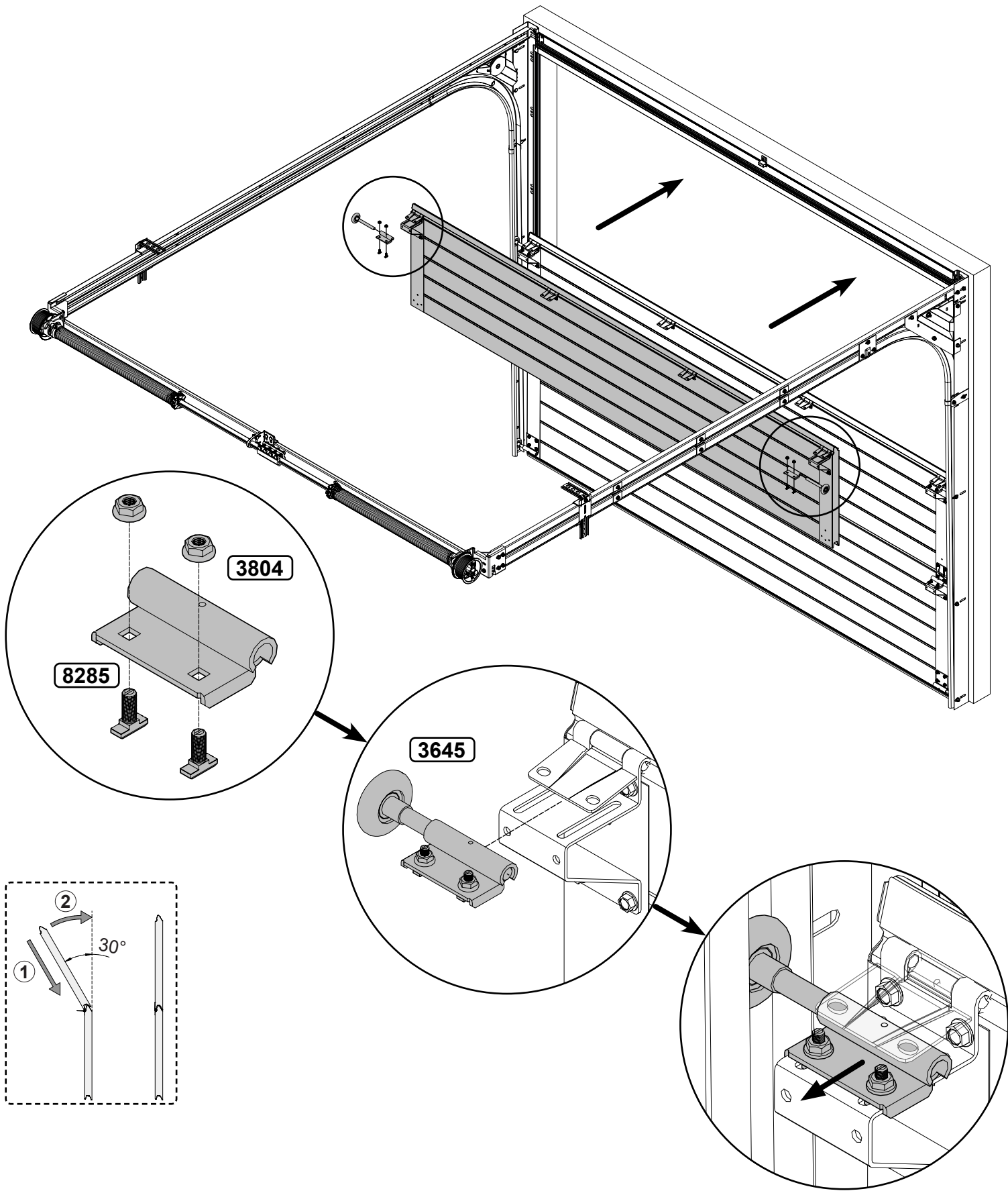


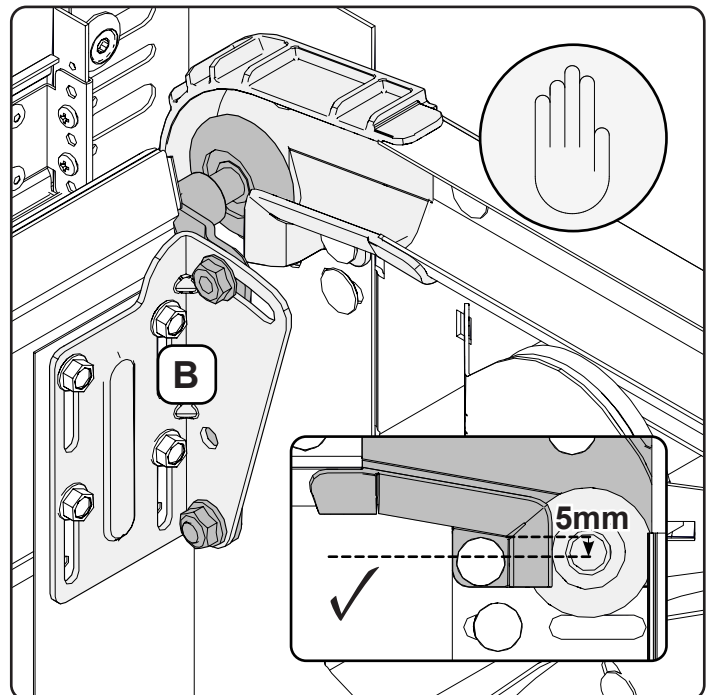
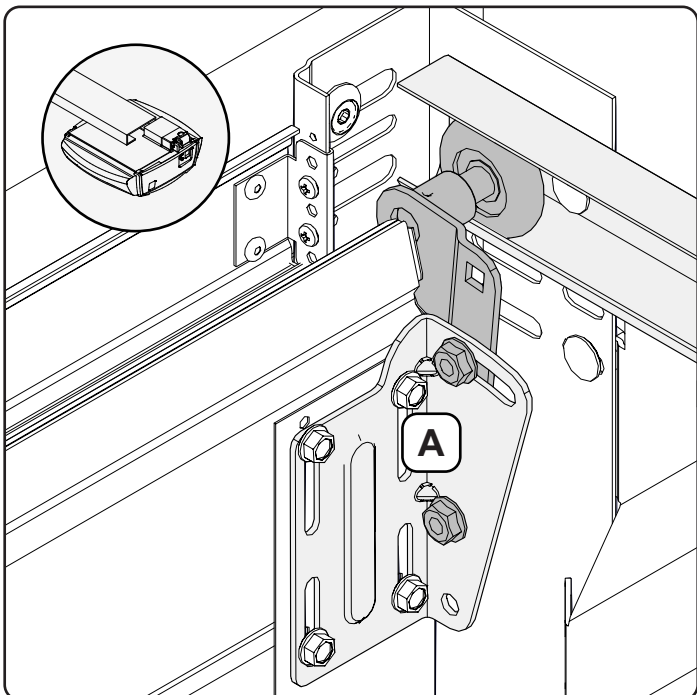
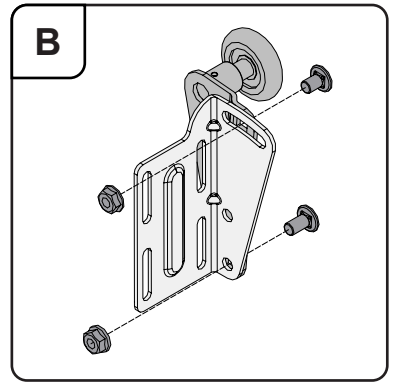
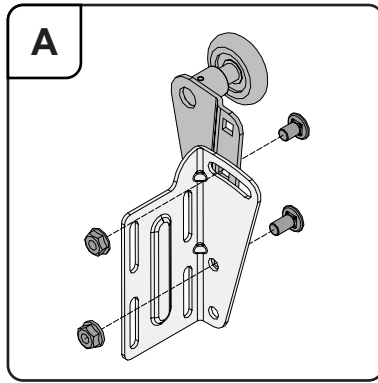
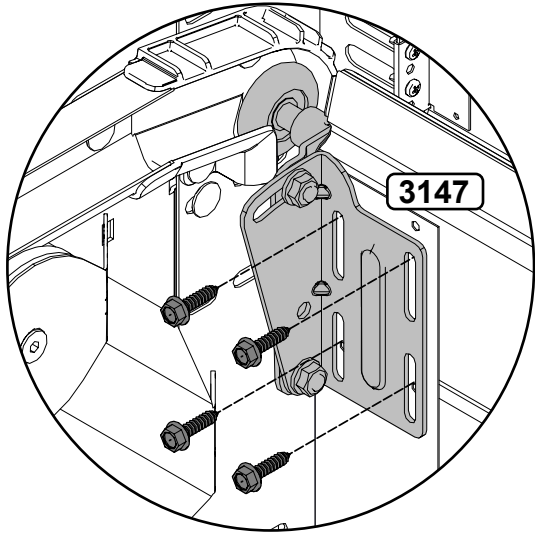
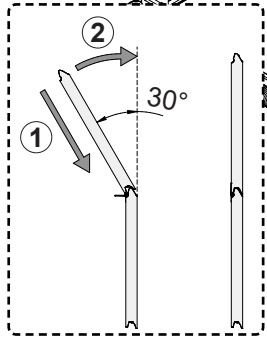
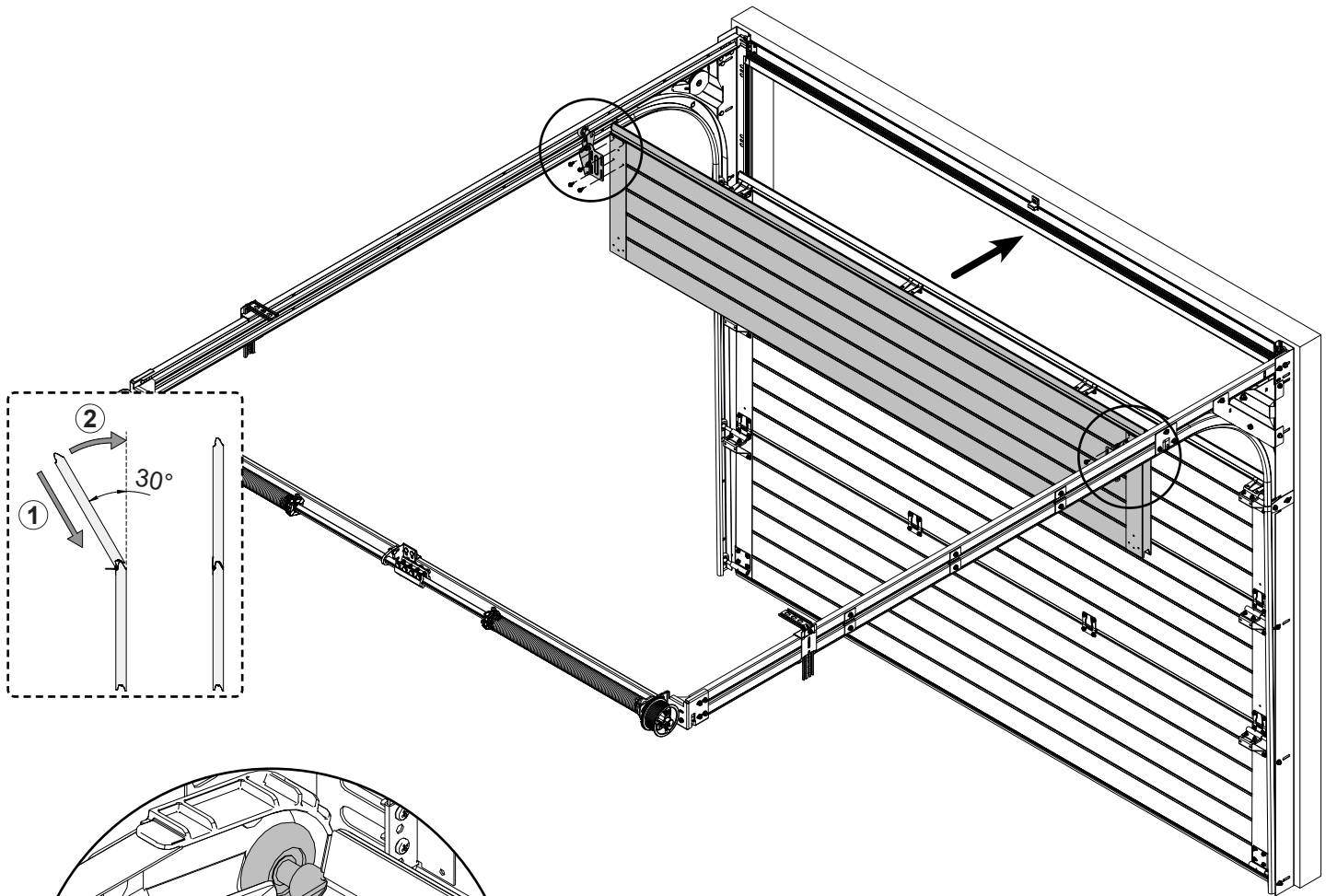
AR

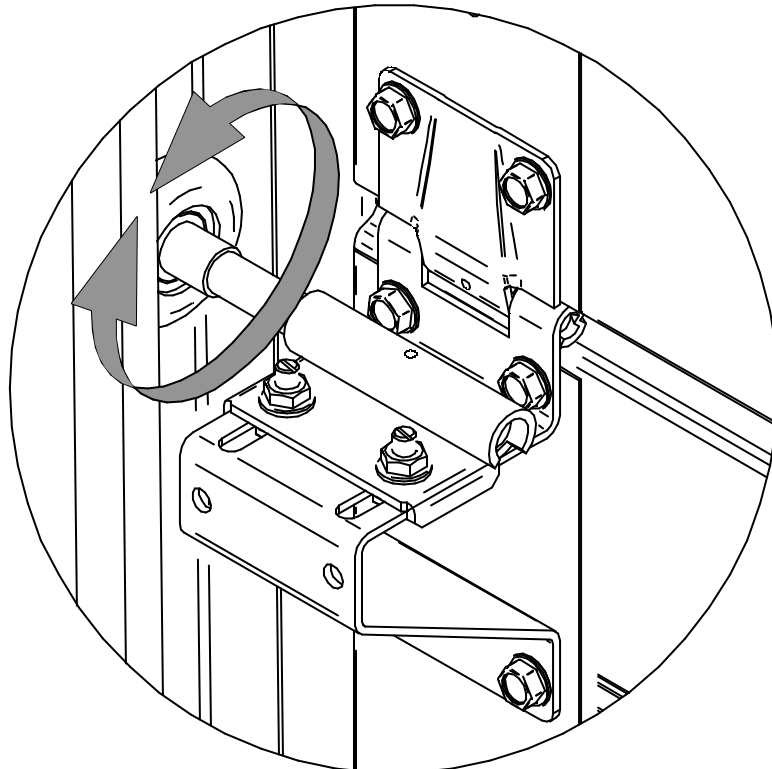
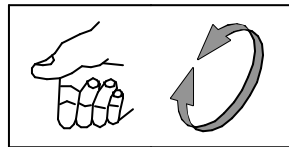
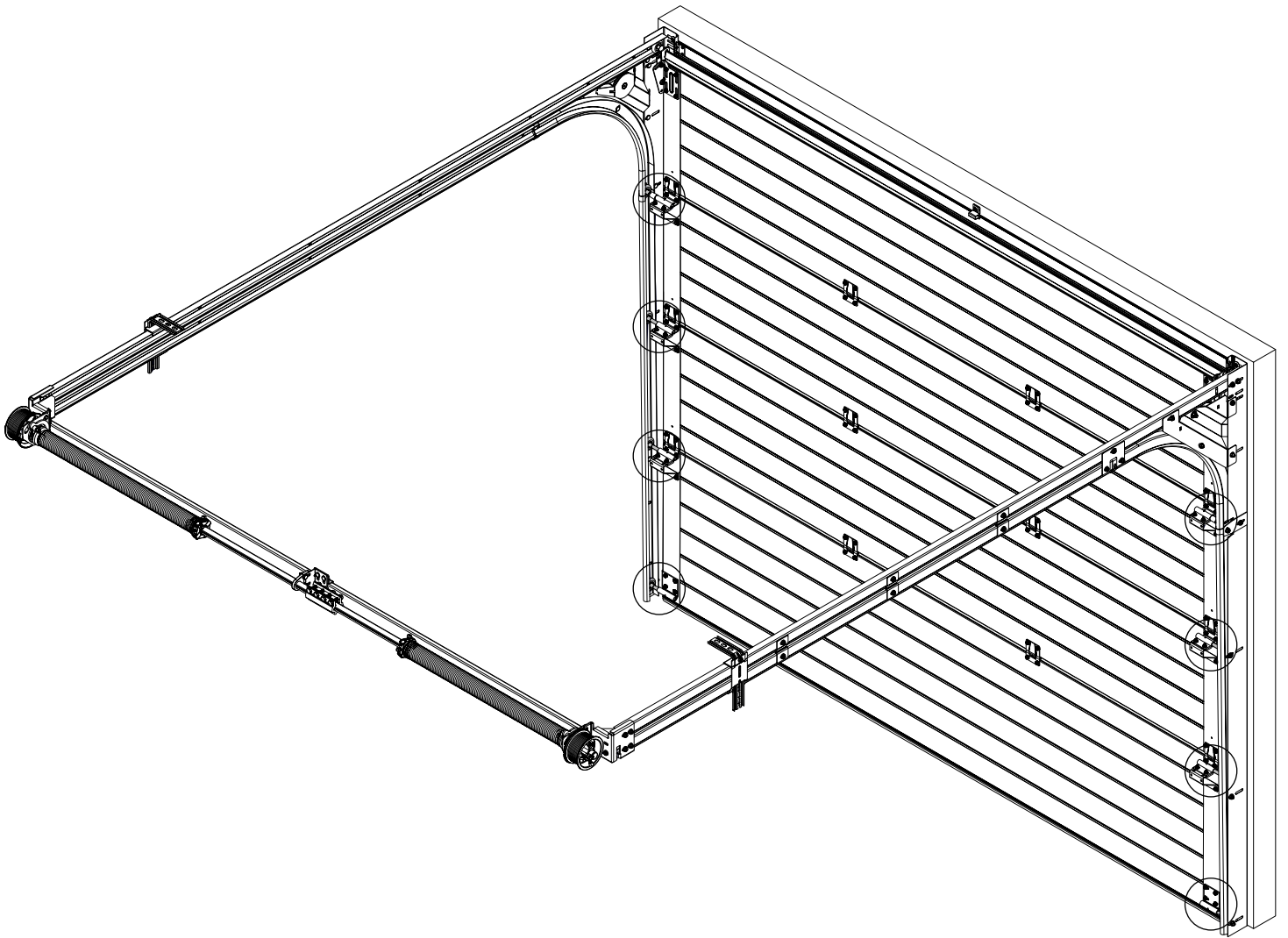


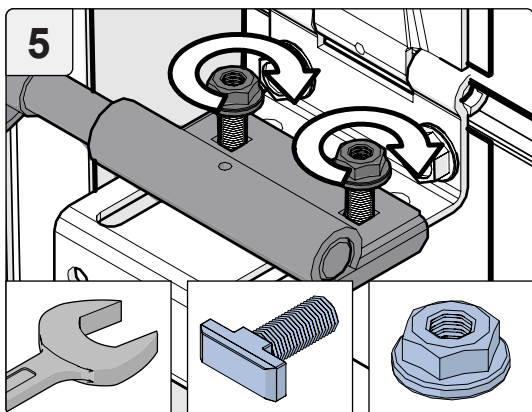
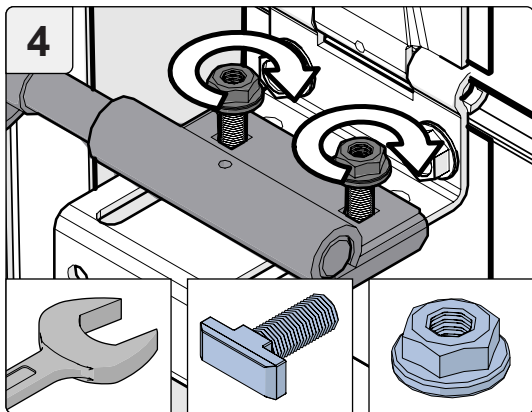
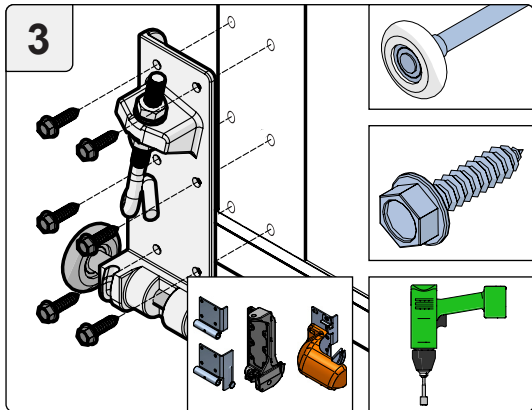
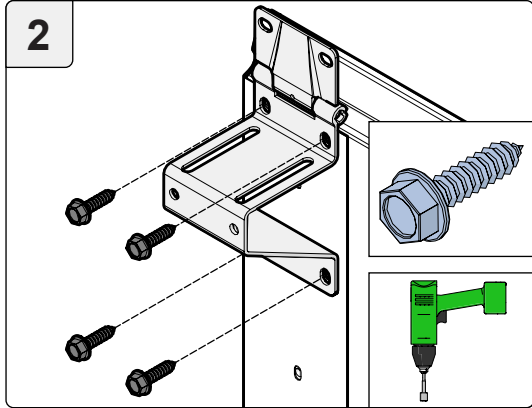
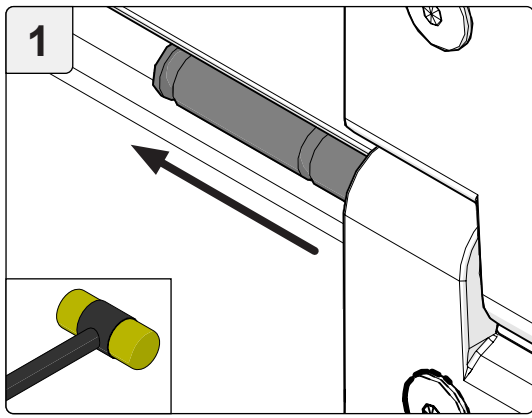




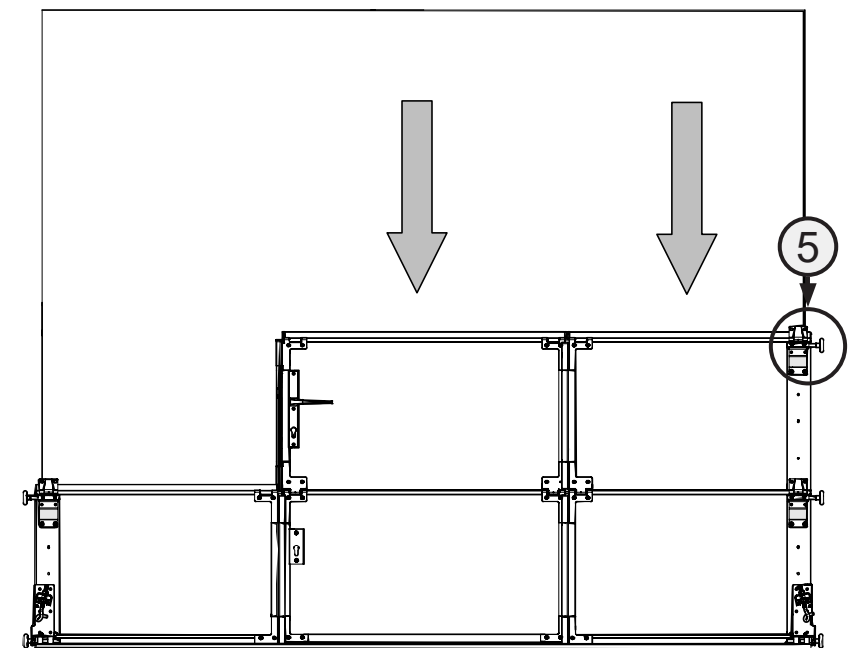
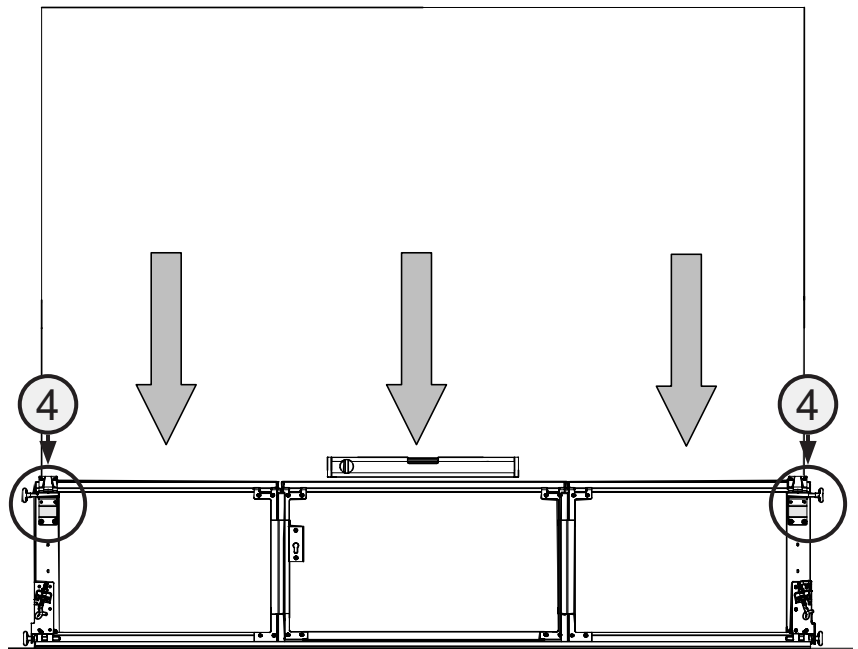
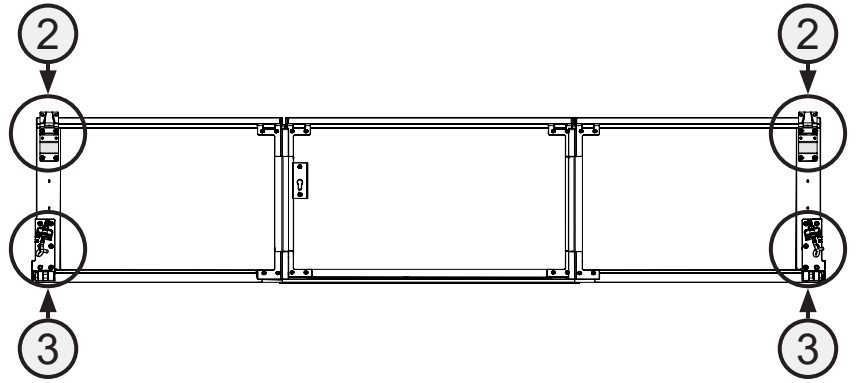


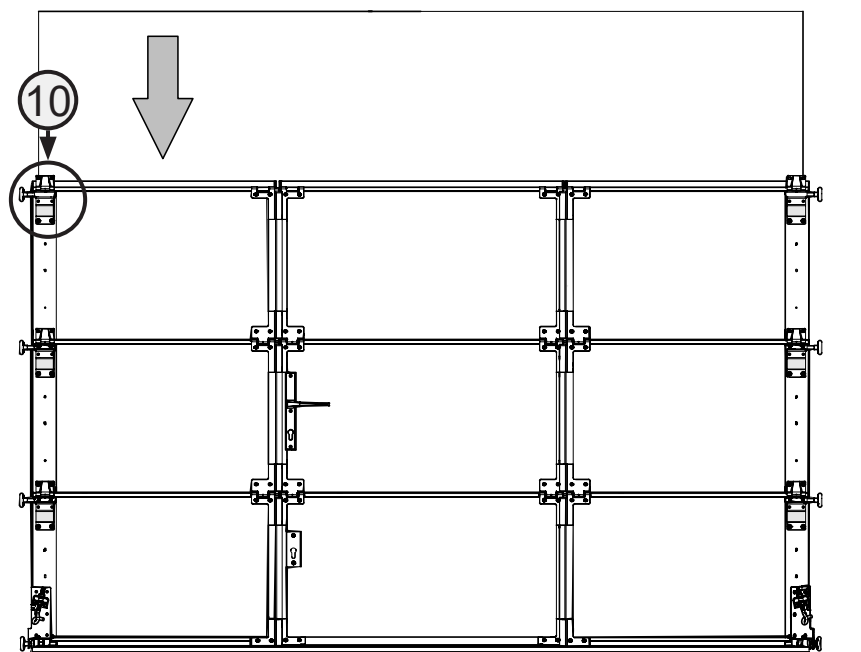
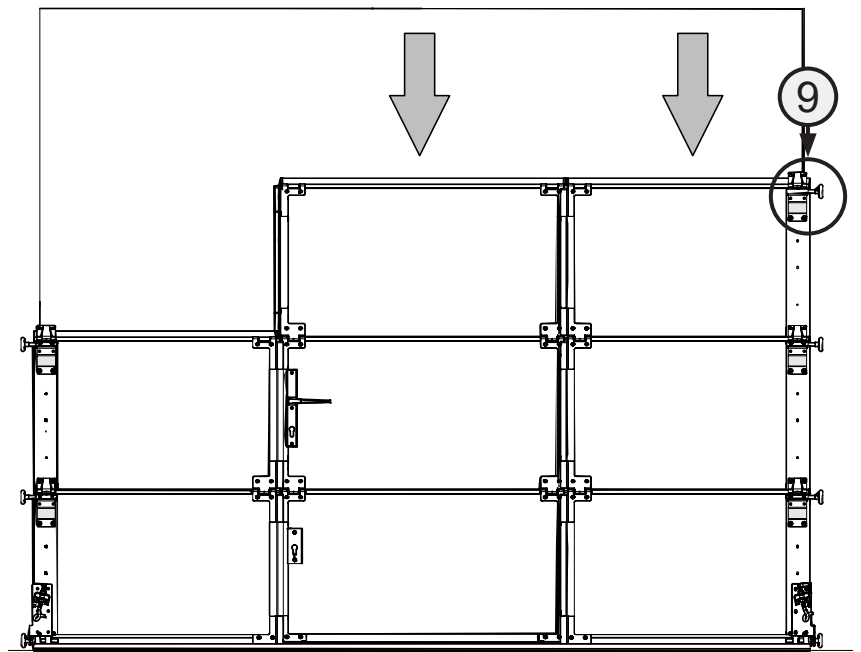
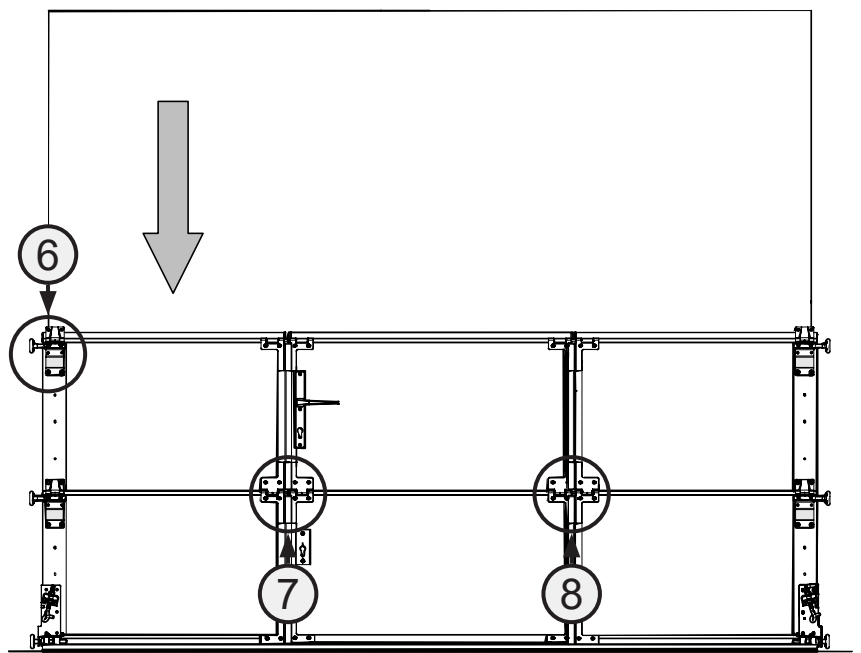
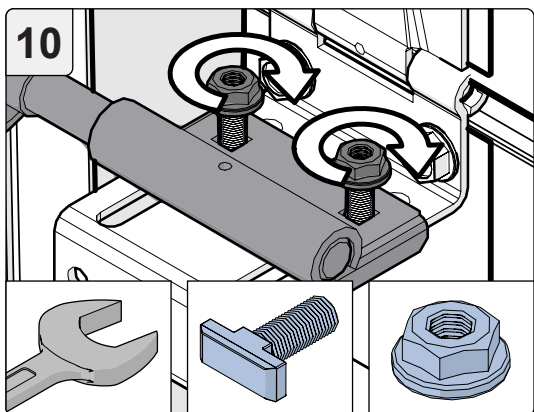
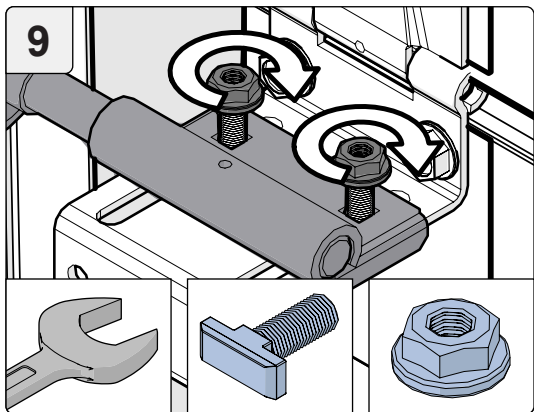
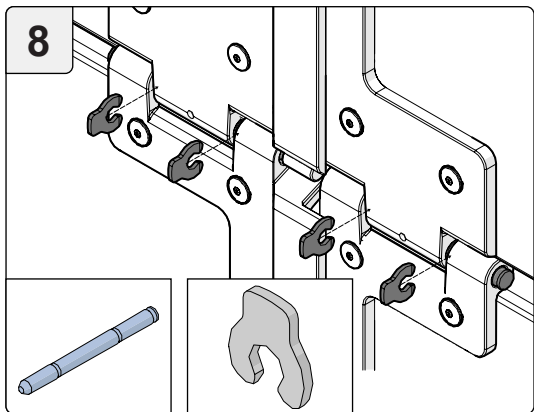
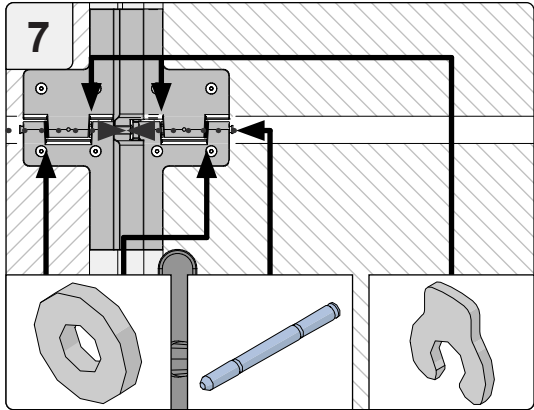
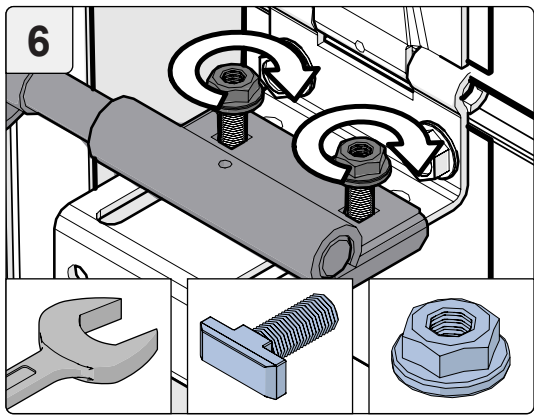


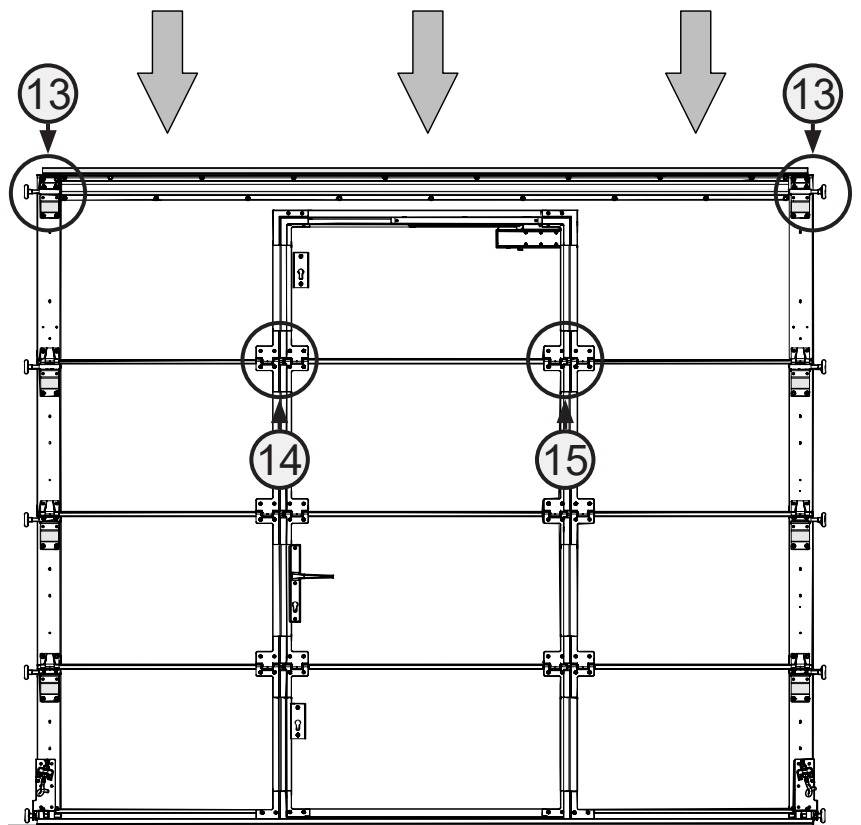
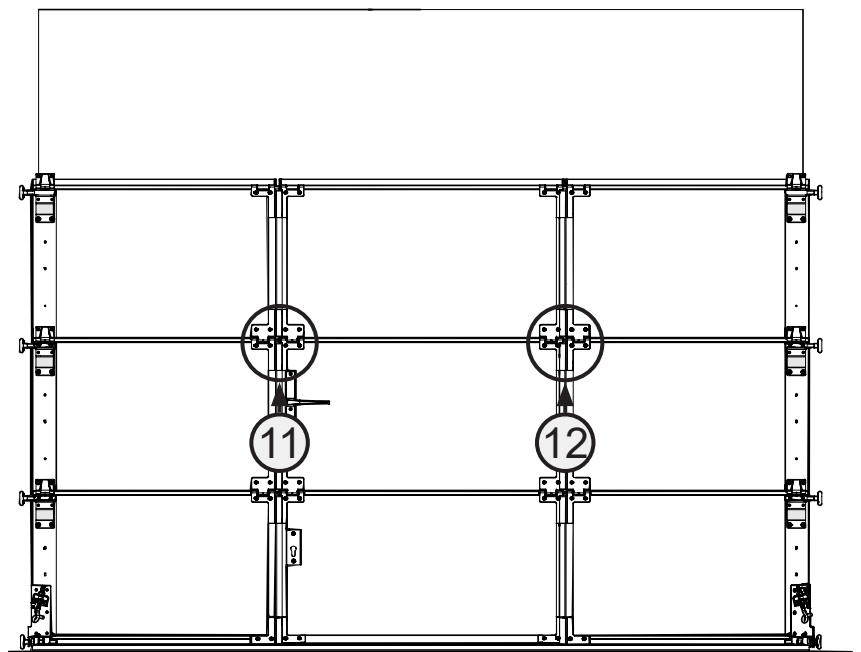
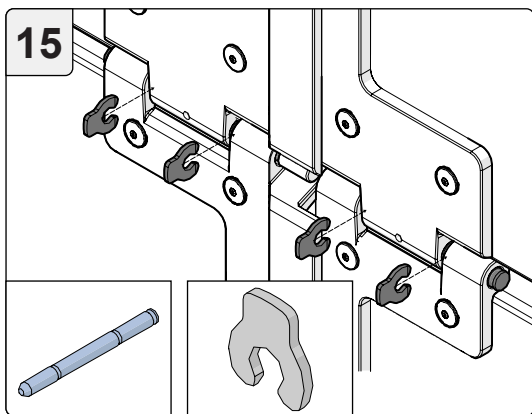
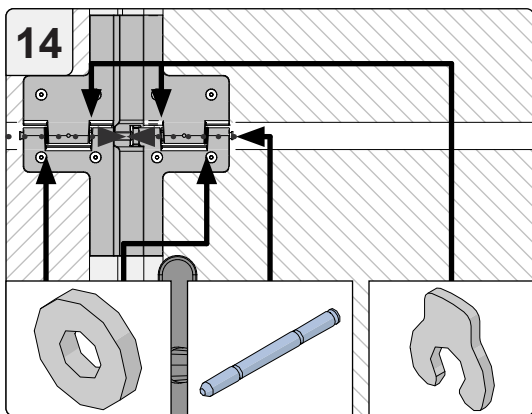
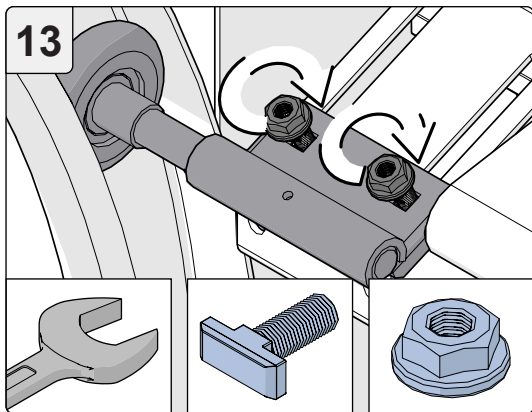
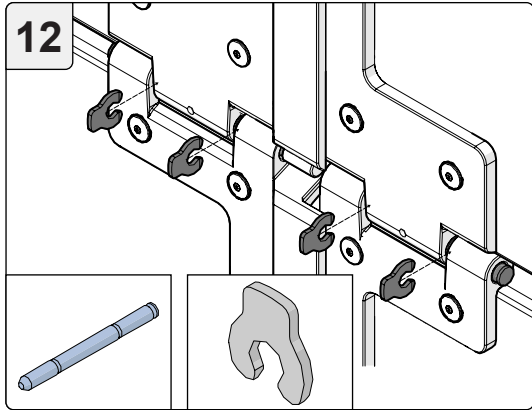
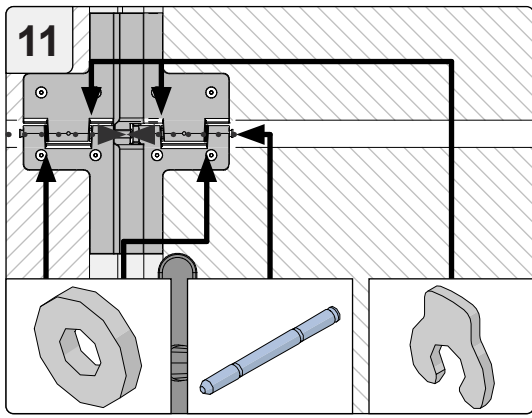


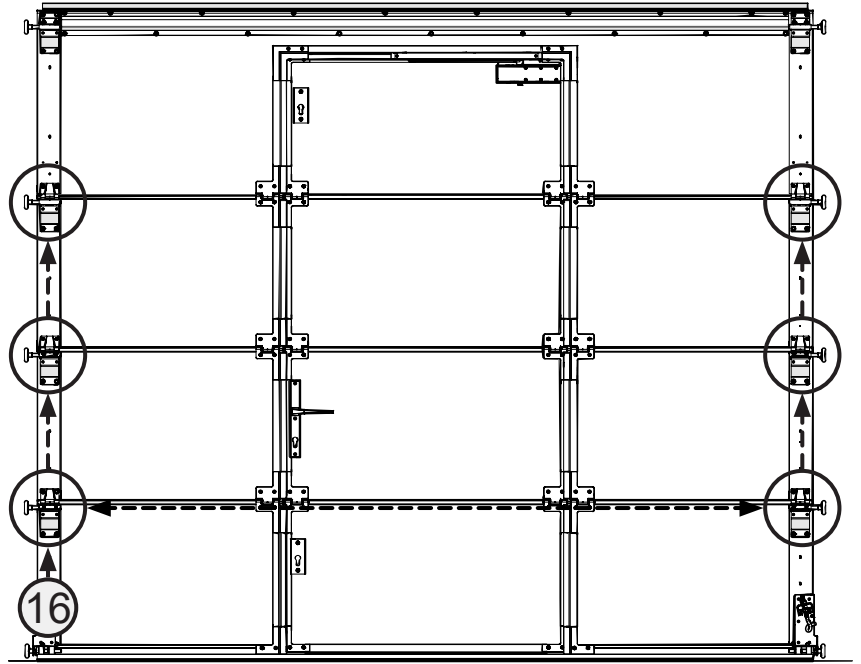
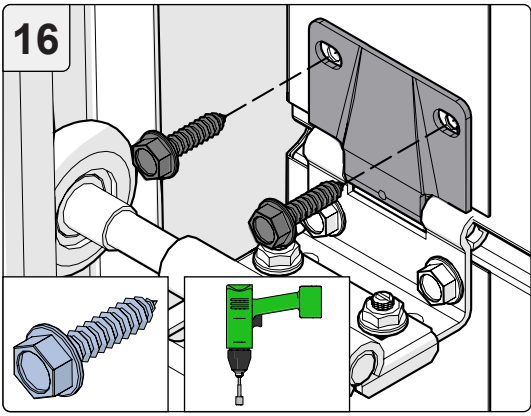


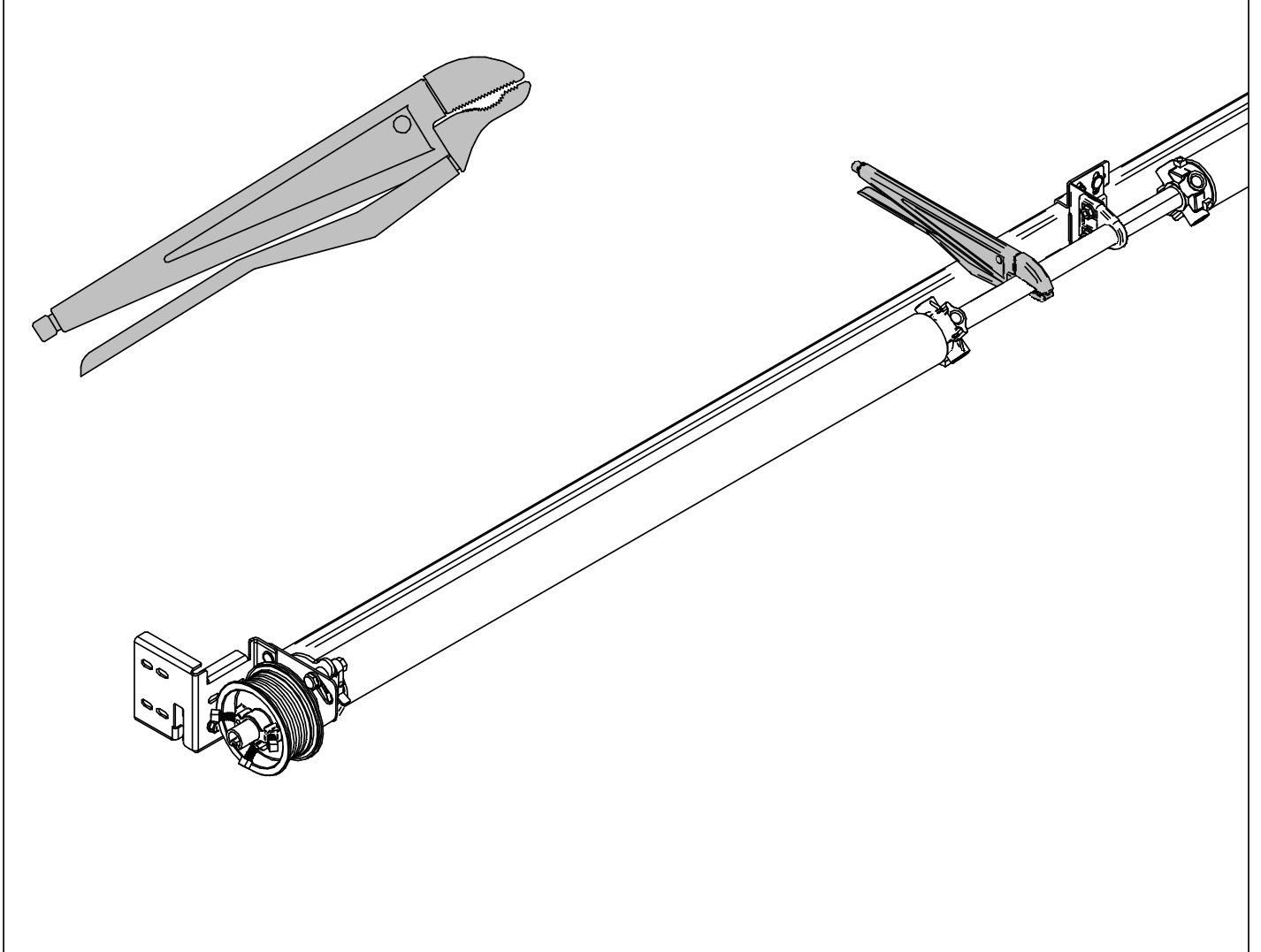
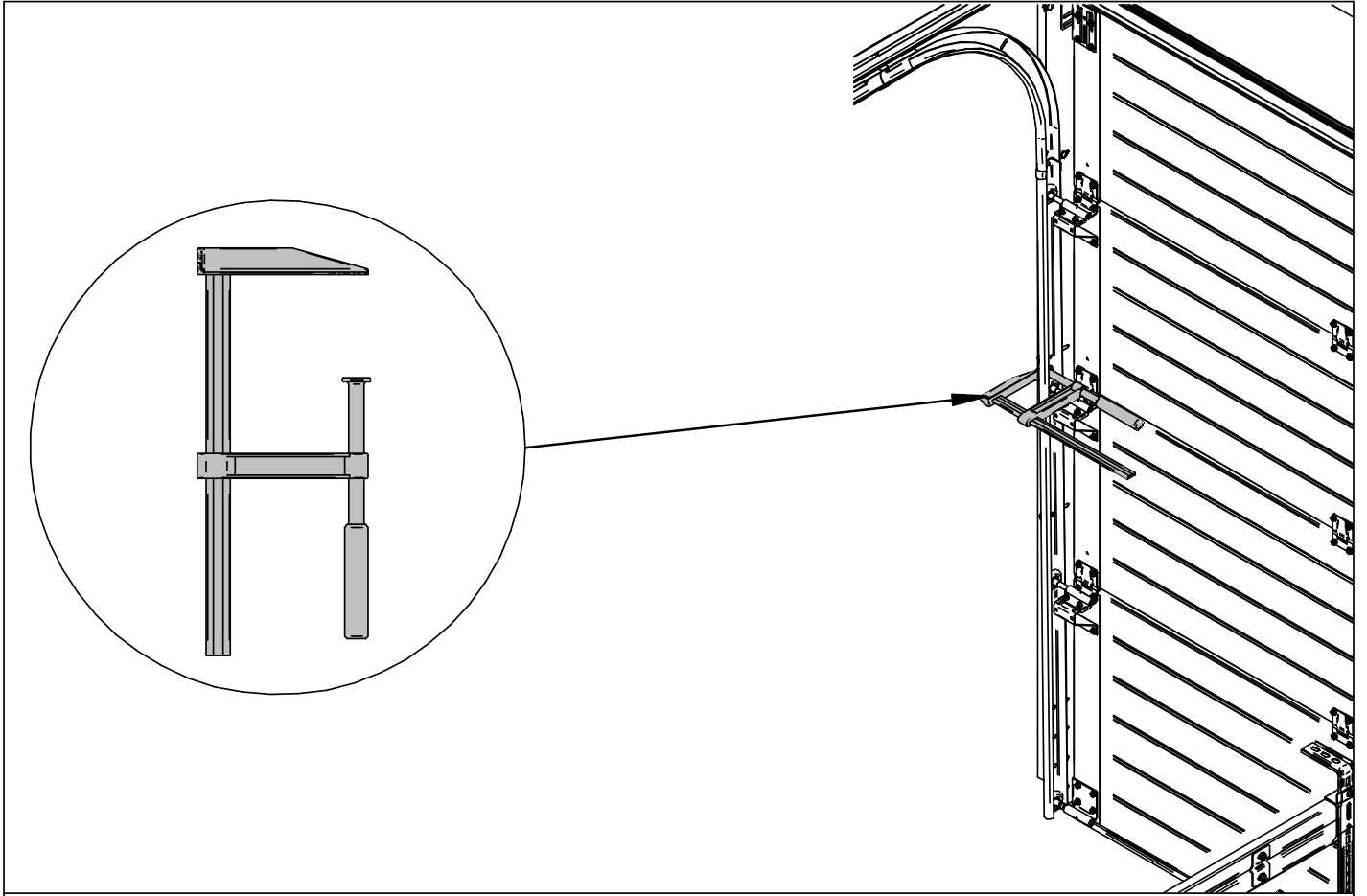
OPTION

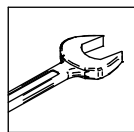
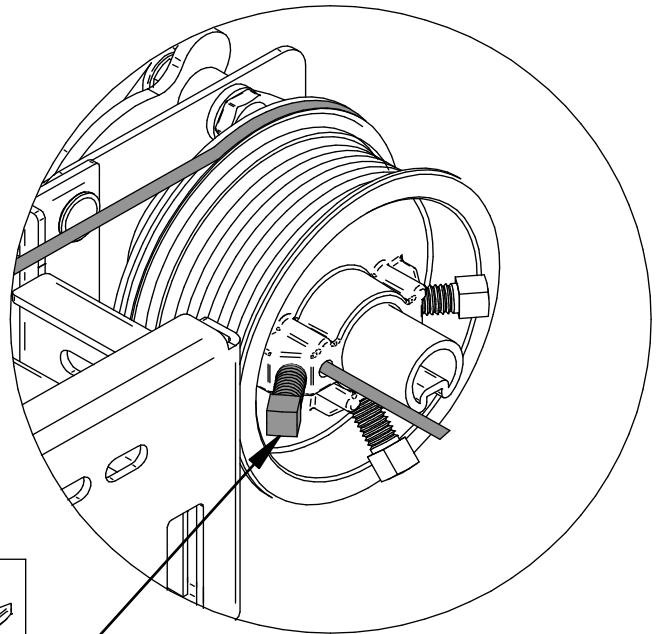
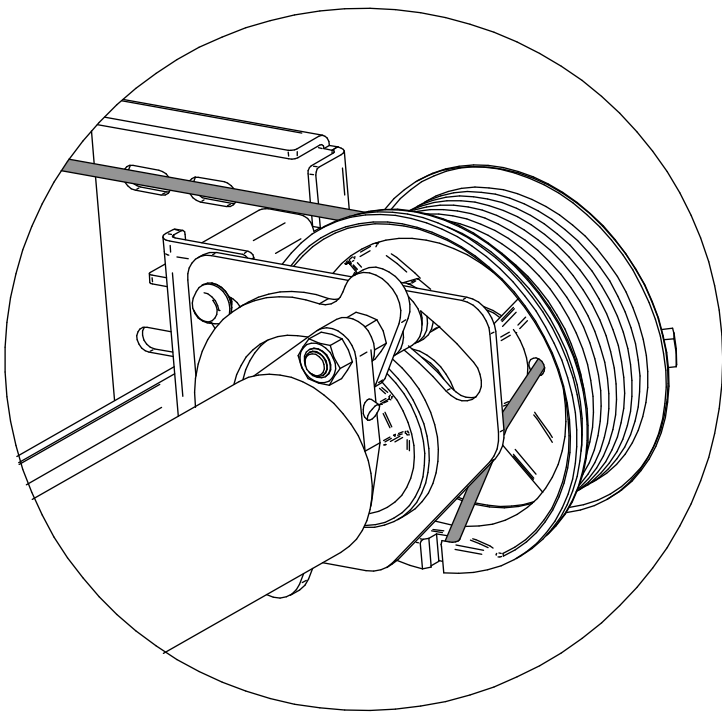
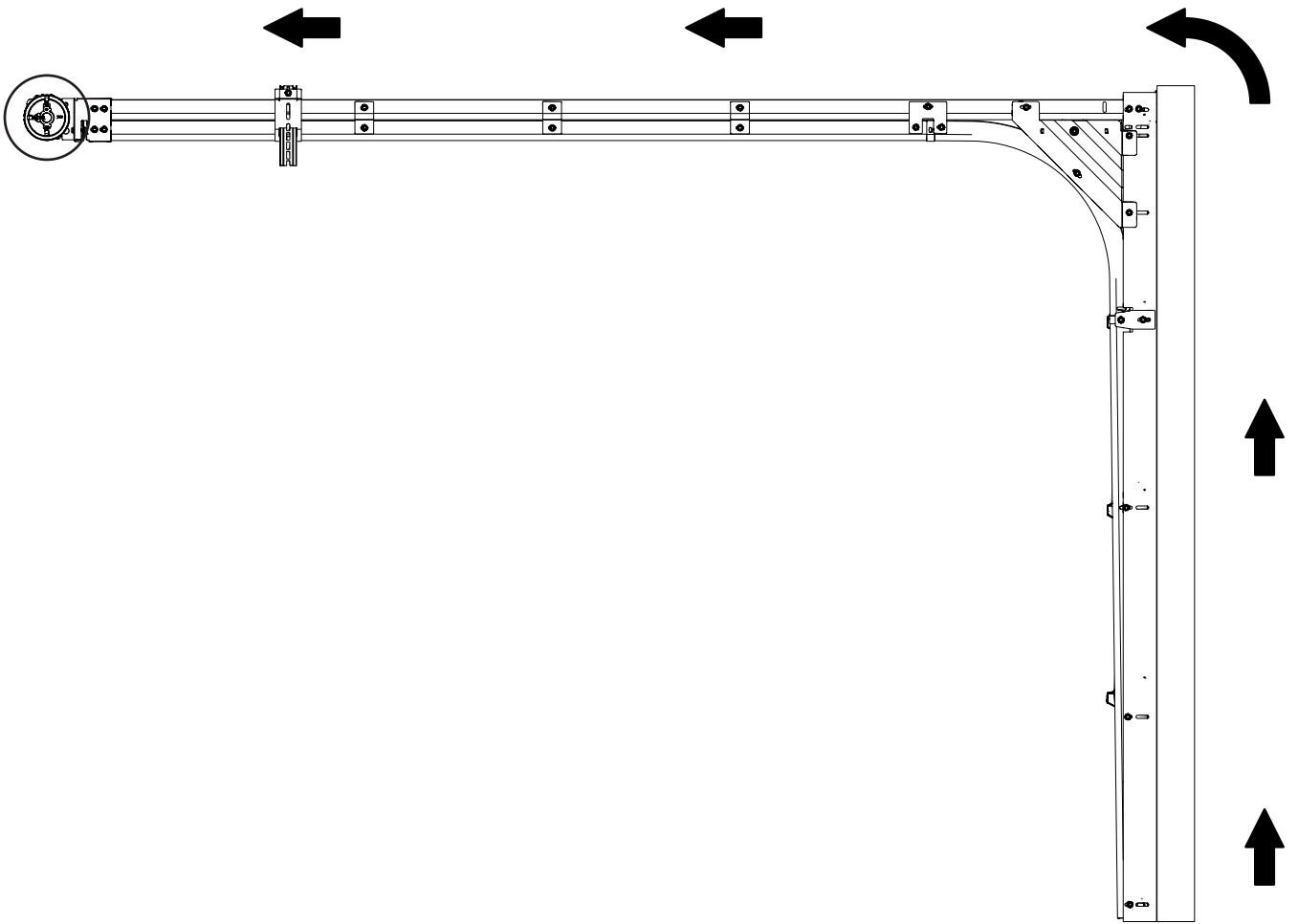












Hardware

Customer Ref.:
Our reference:

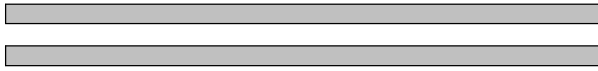
Qty	Doortype	DLW	DLH	Sections	Fields	Assembly	Weight	Turns
		x						10.1

Turns x 360°



Qty	Unit	Art. num.	Article description	Length
1	piece	0461	Spring break device Residential 1" right Ø 51mm SC	
1	piece	0462	Spring break device Residential 1" left Ø 51mm SC	

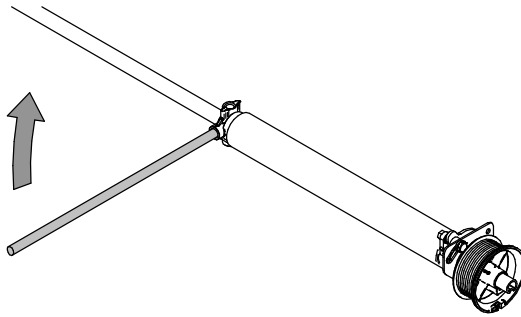
VEER / FEDER / SPRING / RESSORT < 67 mm



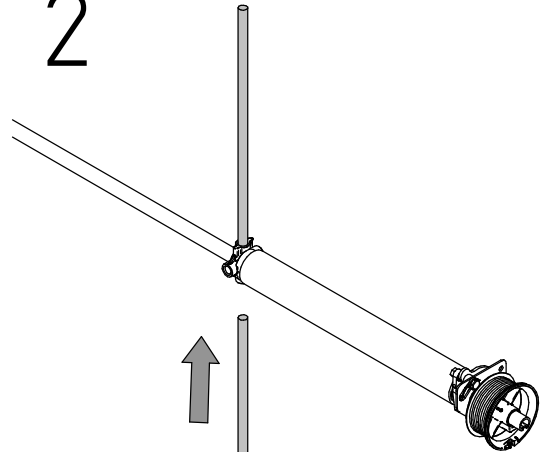
TENSION BAR

STAAL / STAHL / STEEL / ACIER 52

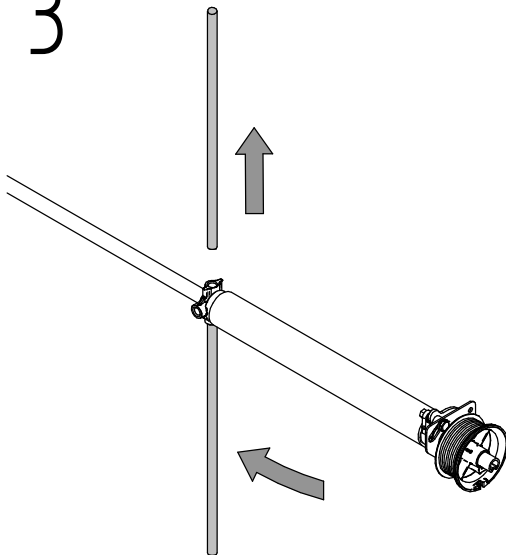
1



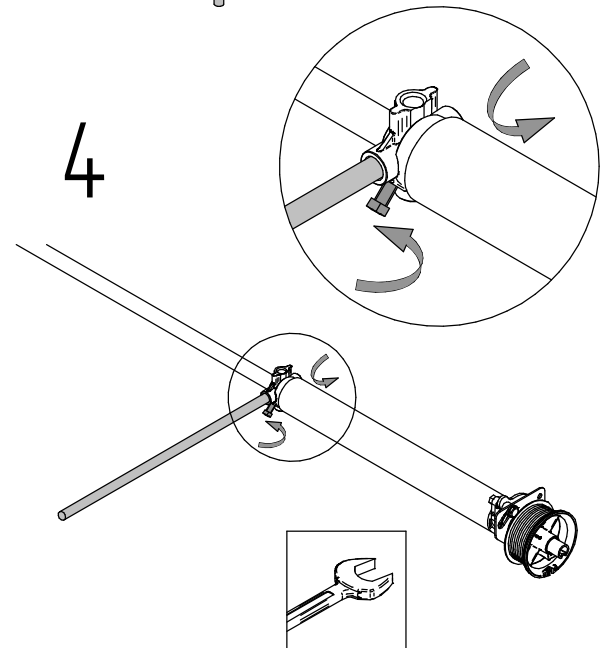
2



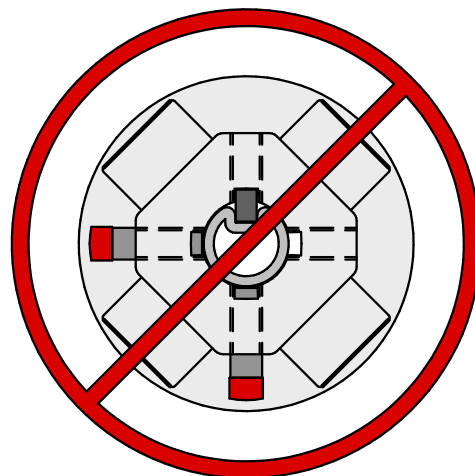
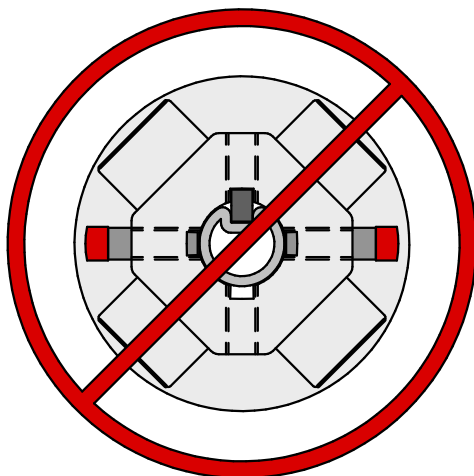
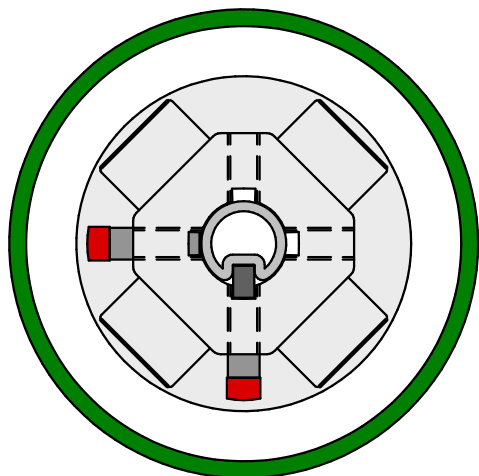
3

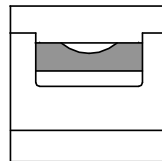
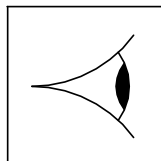
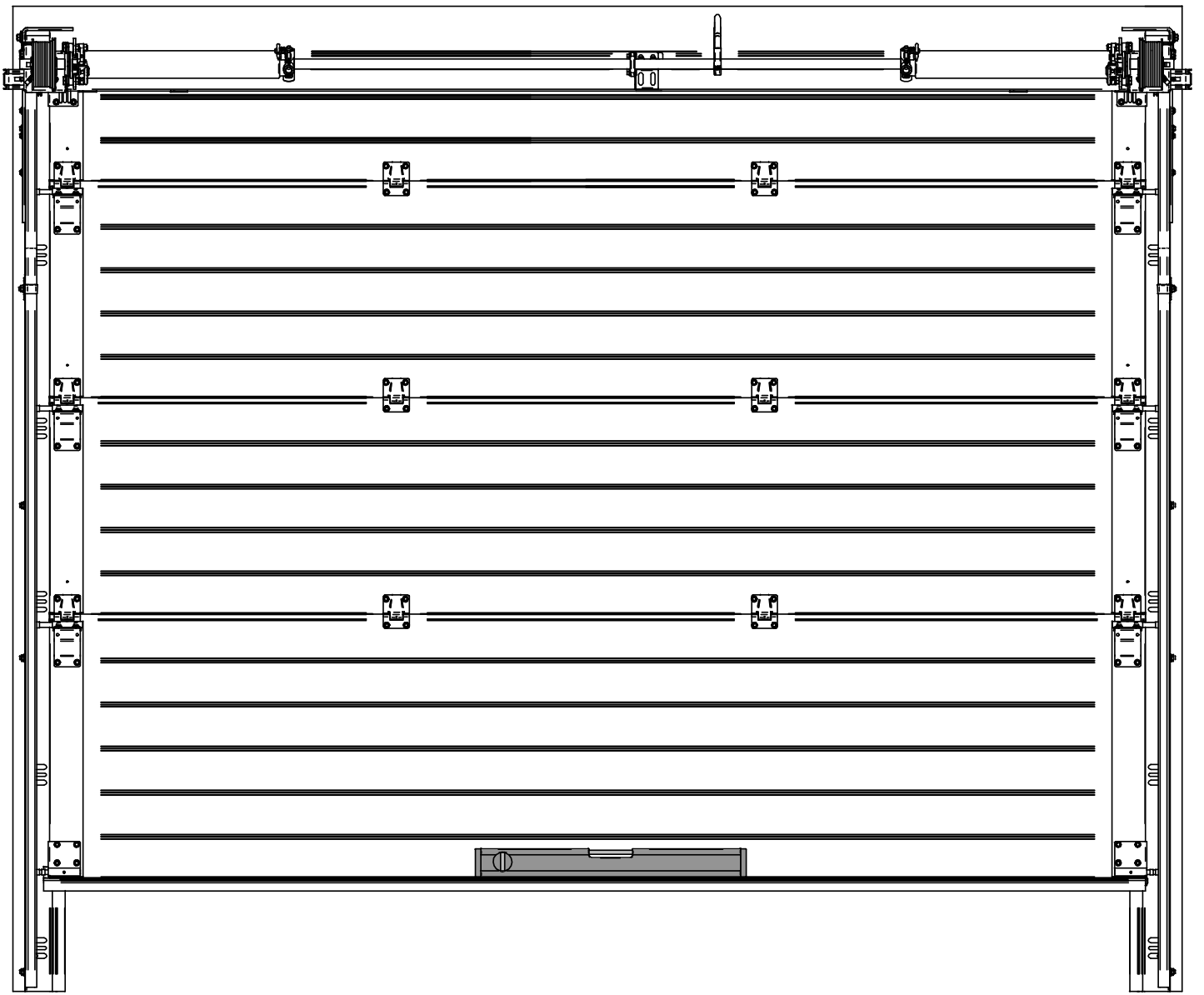


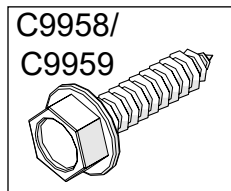
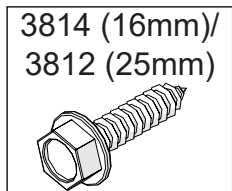
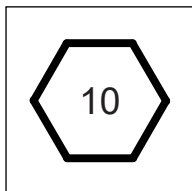
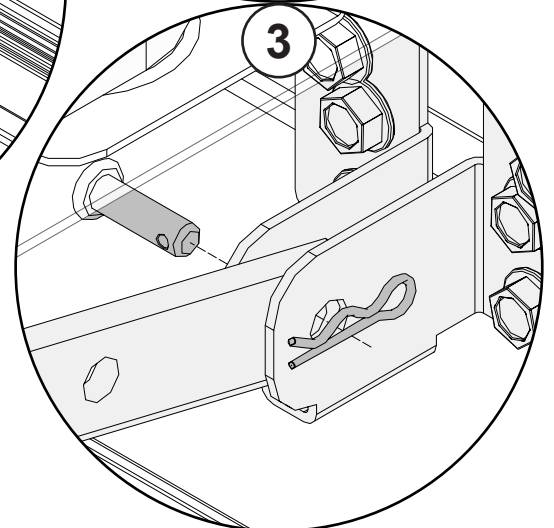
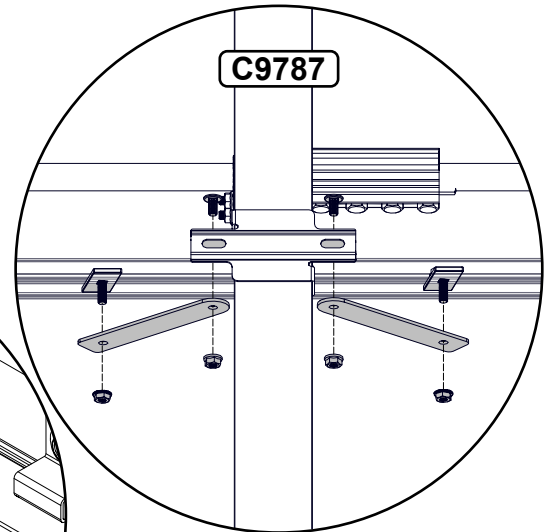
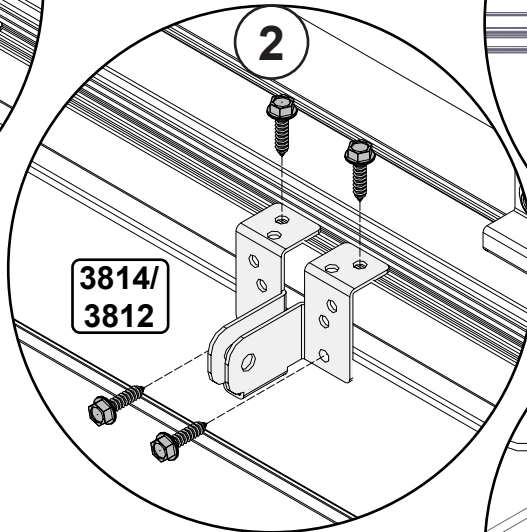
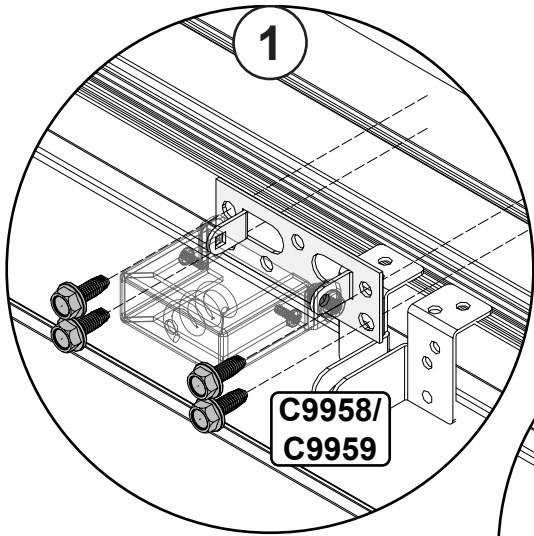
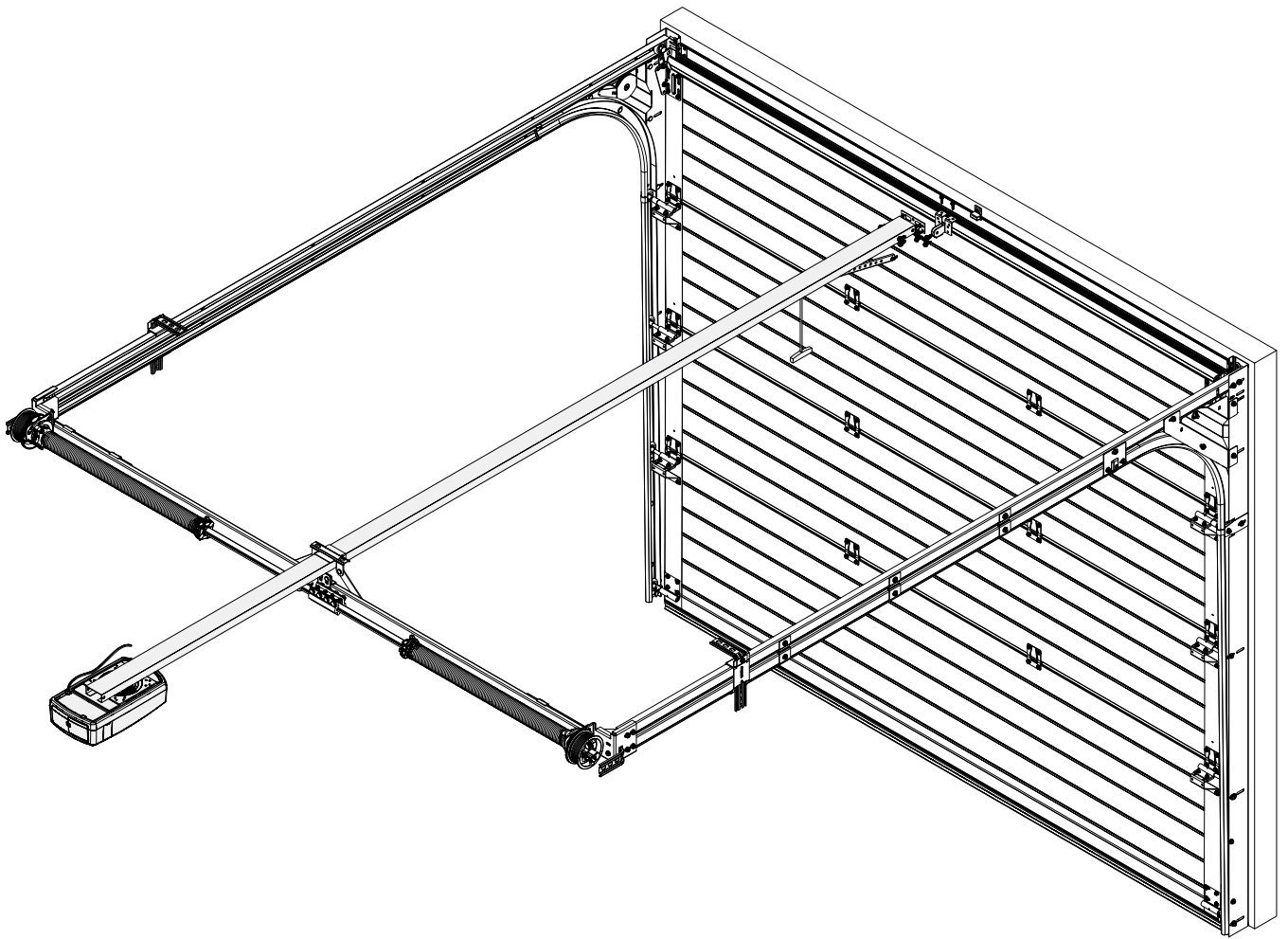
4

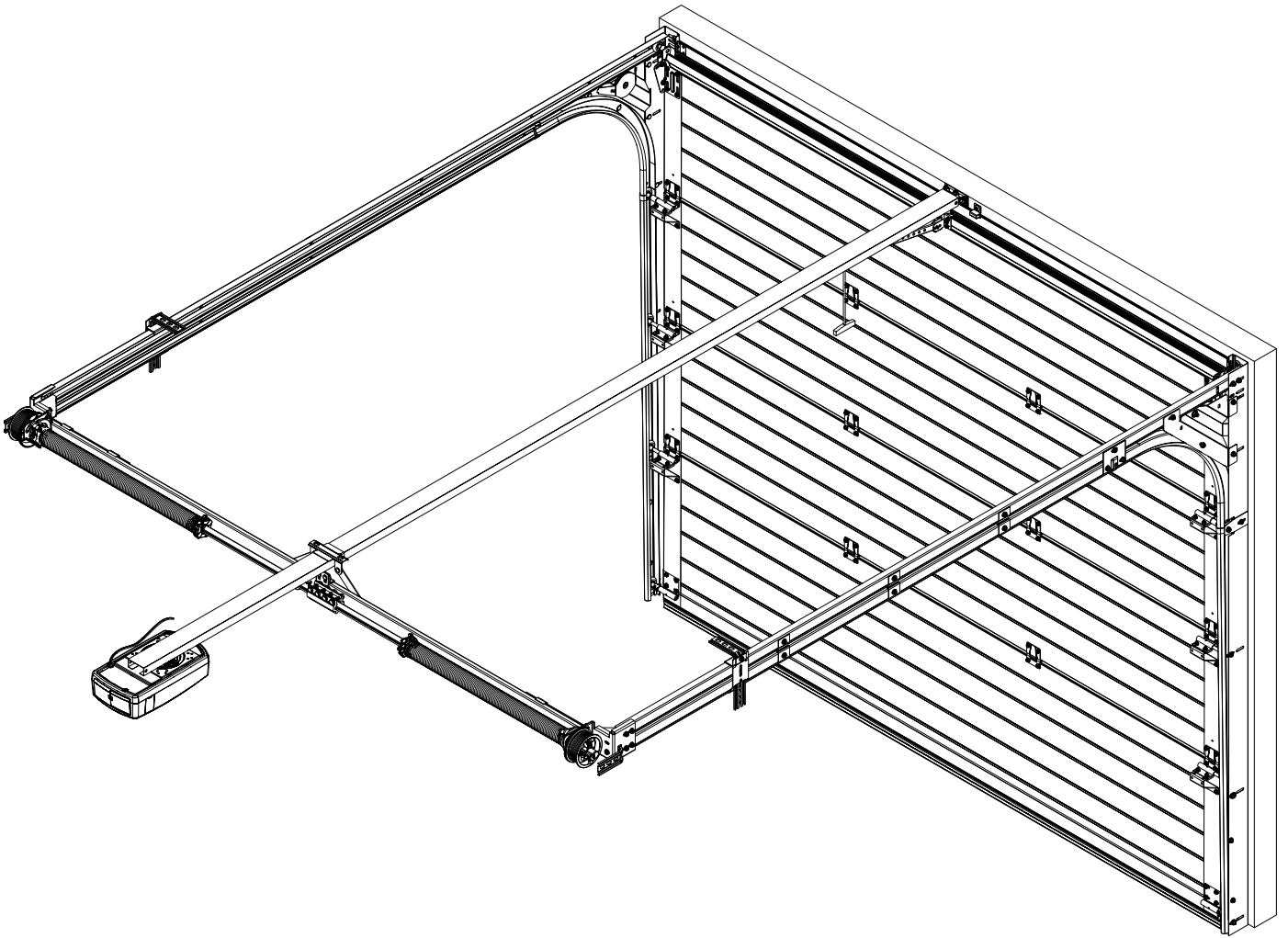


NL: Correcte wijze vastzetten van spankop
EN: Correct fastening of winding plug
DE: Richtige montage Feder spankopf
FR: Fixation correcte du mandrin de tension

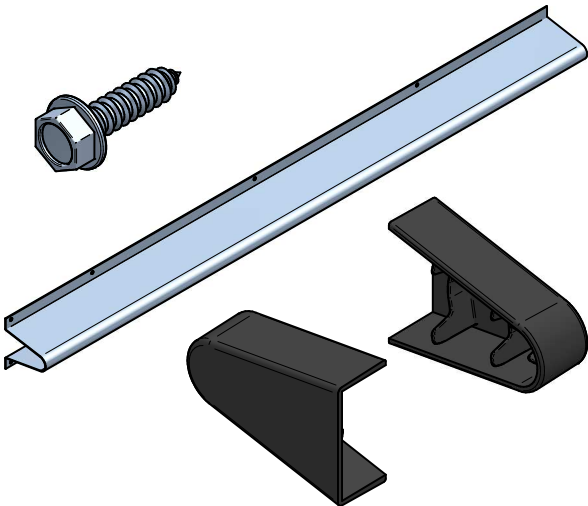
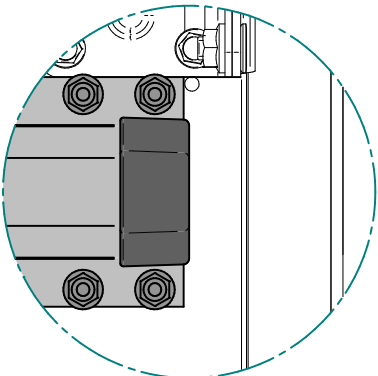
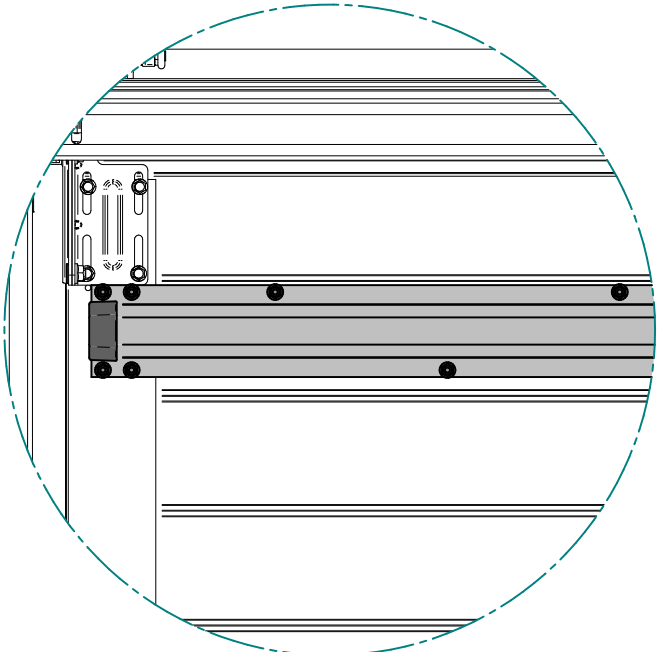
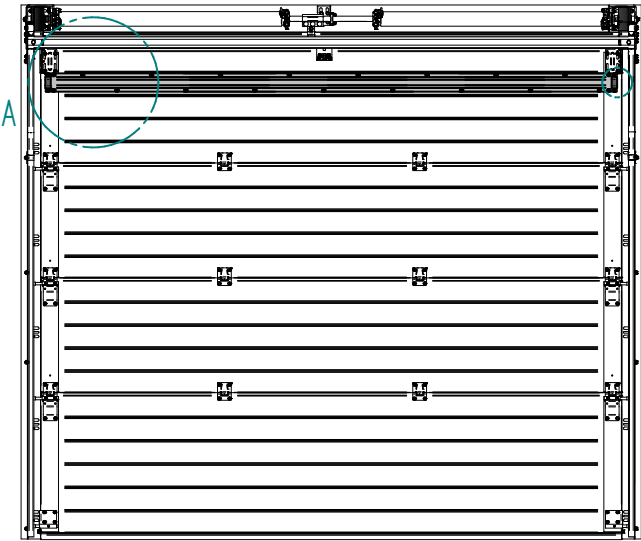
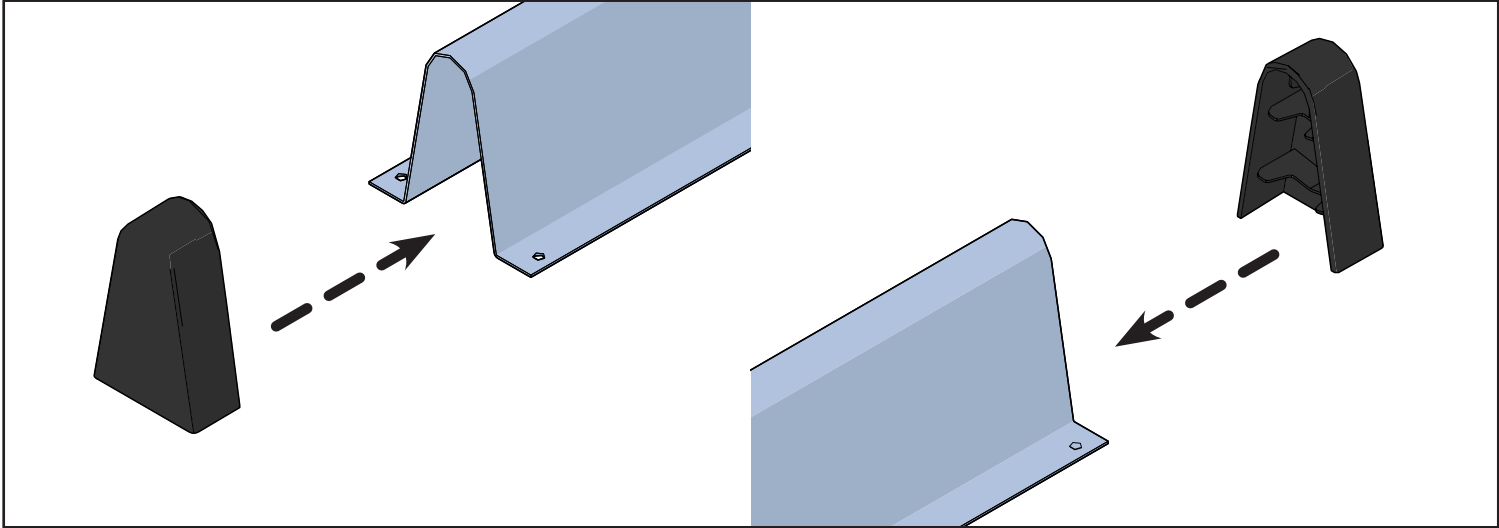
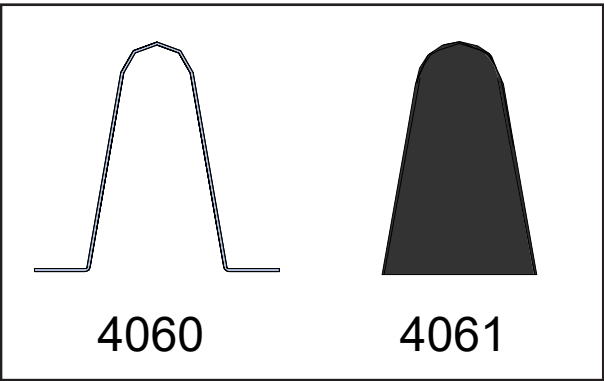




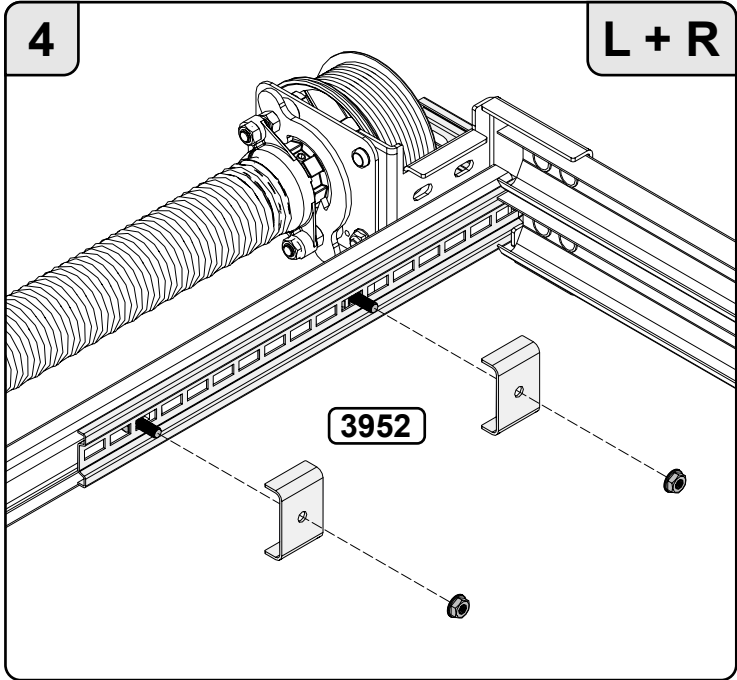
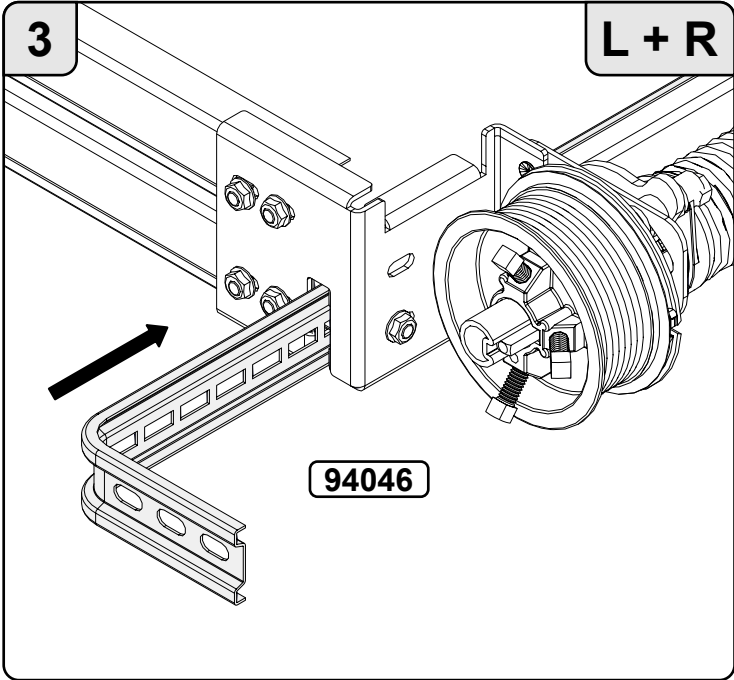
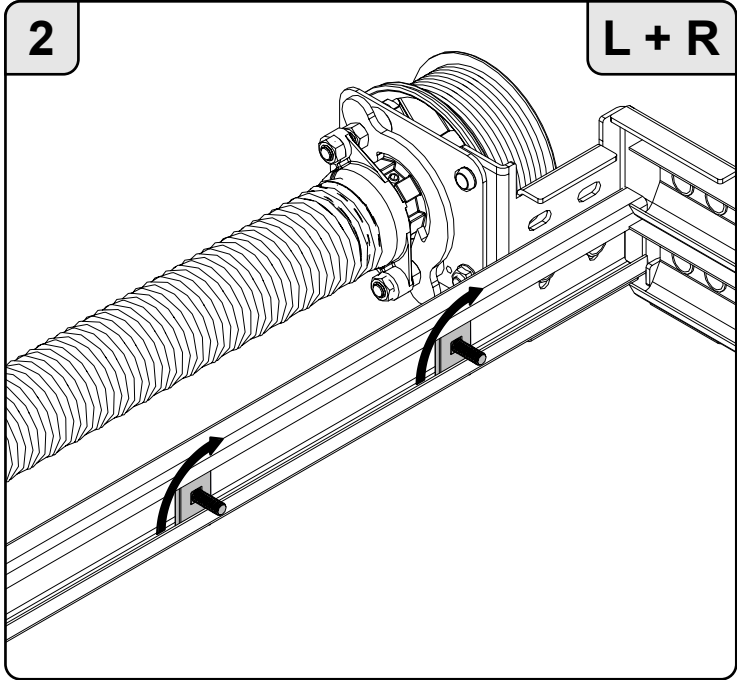
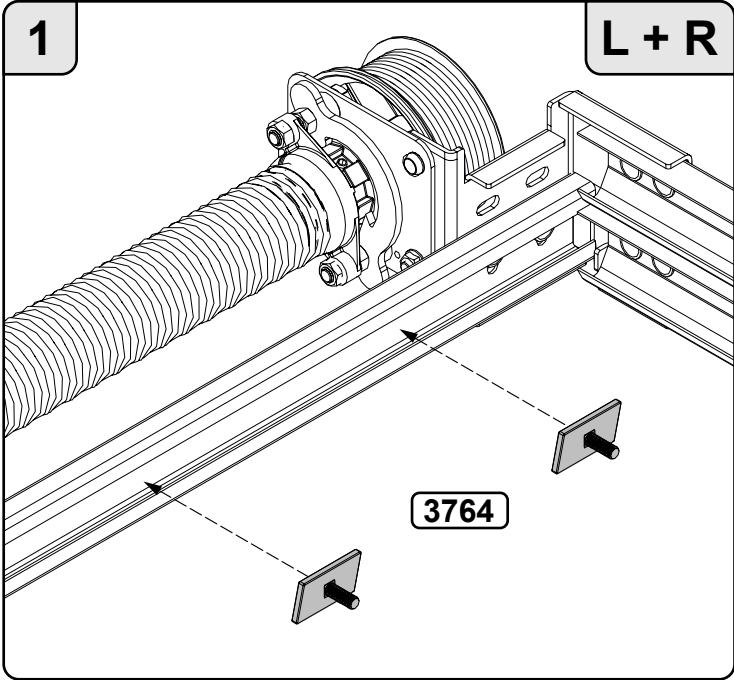
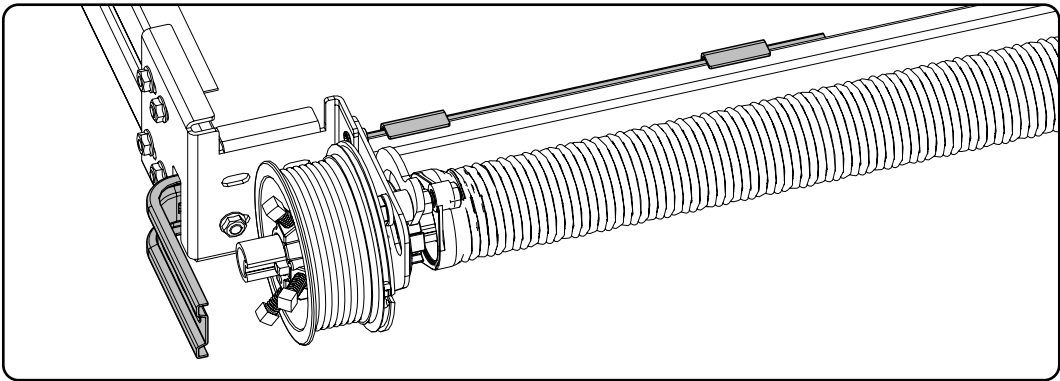




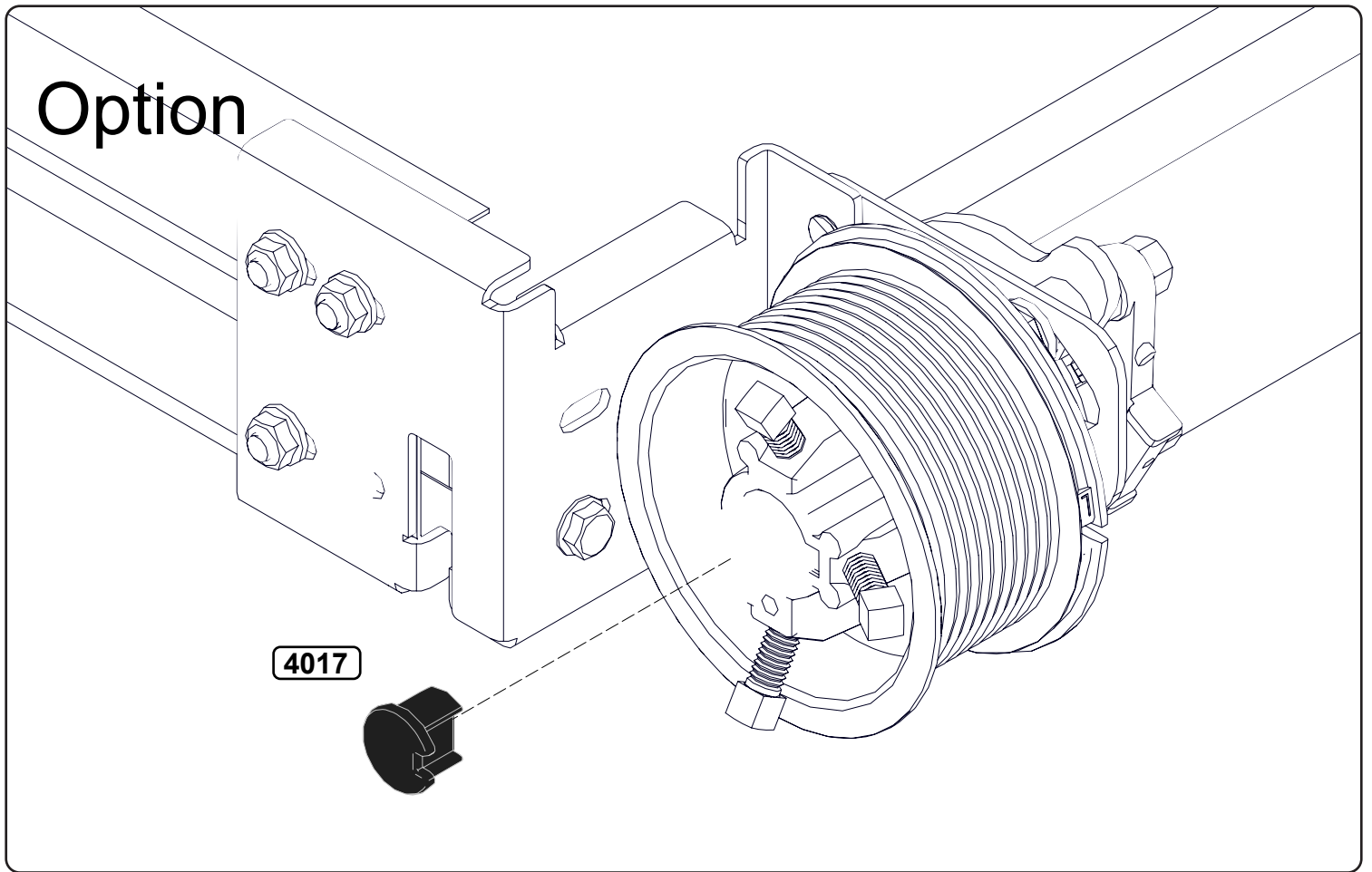
DMB = ≥ 4500



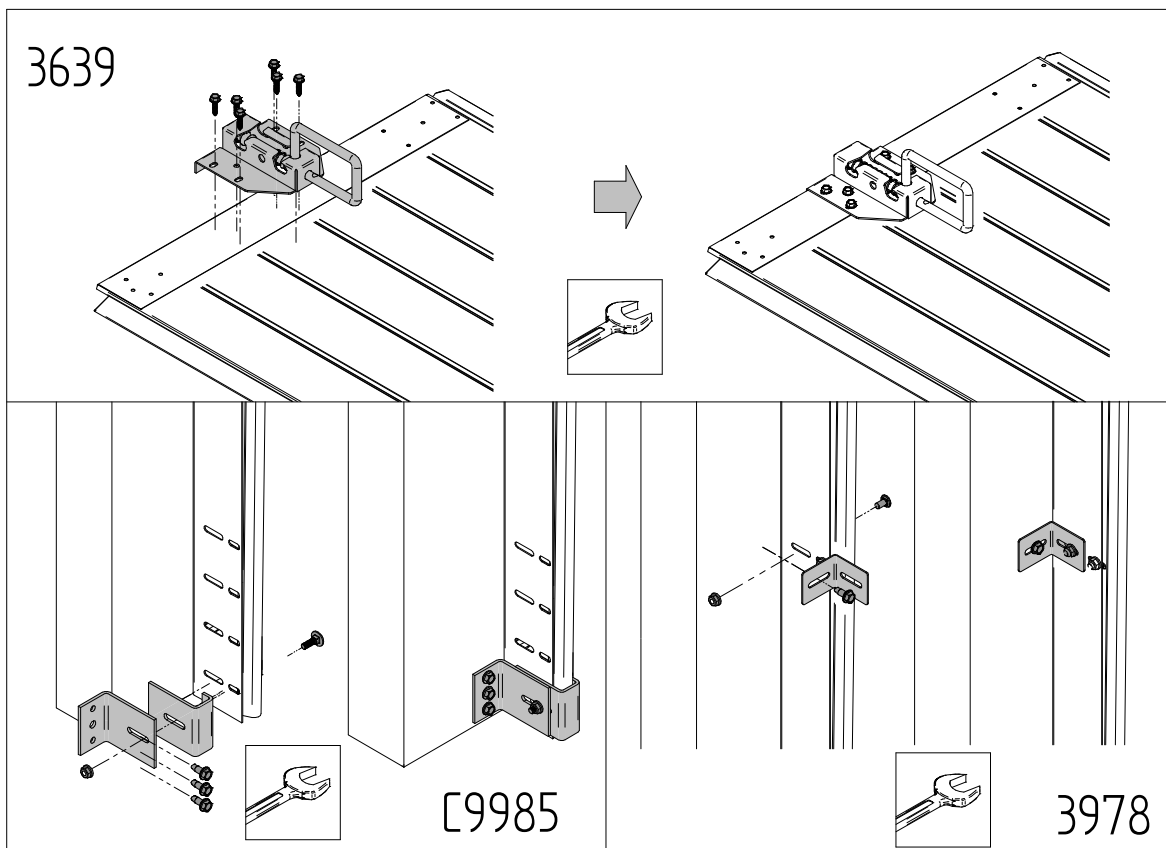
Option

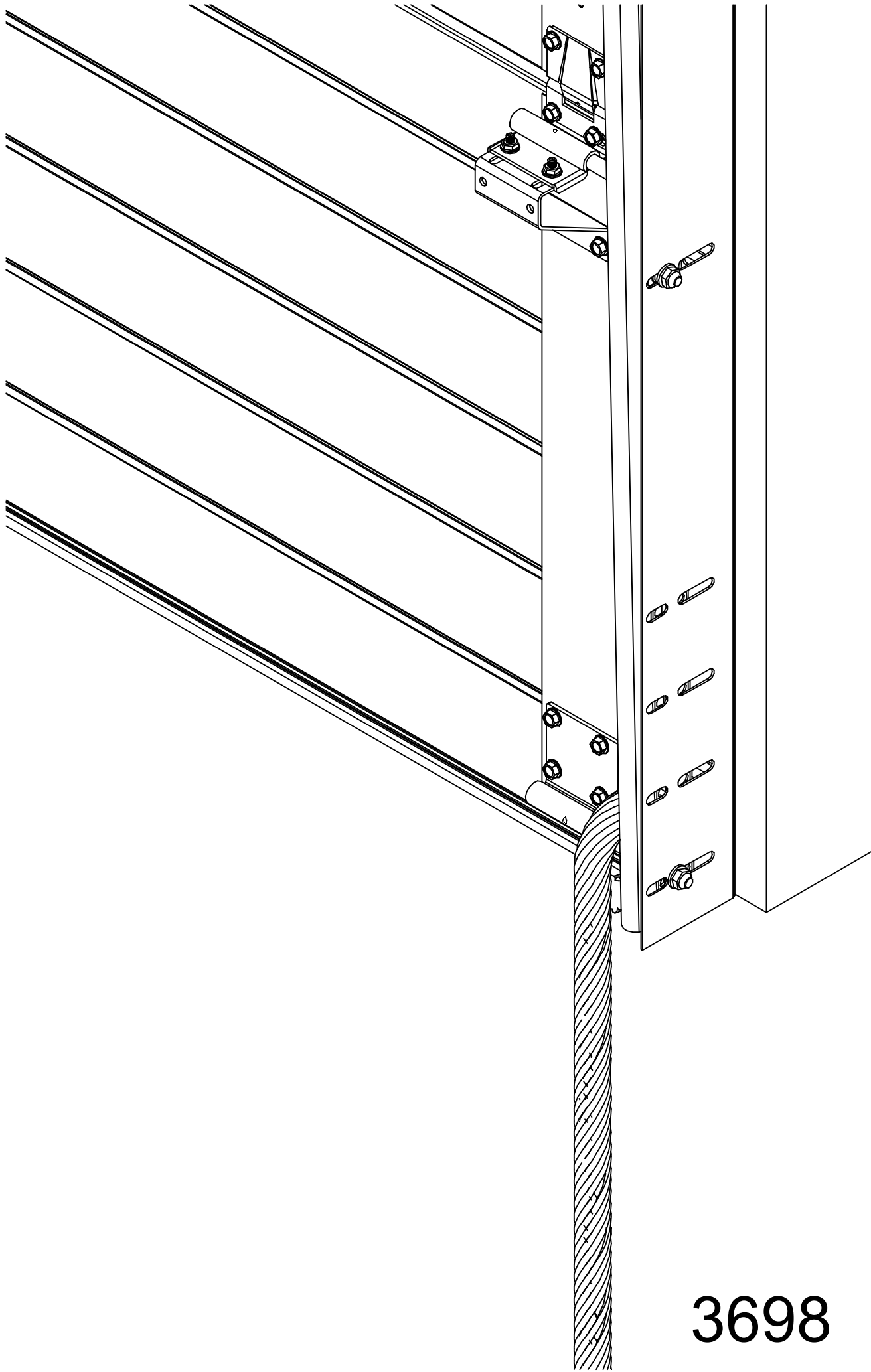


Option

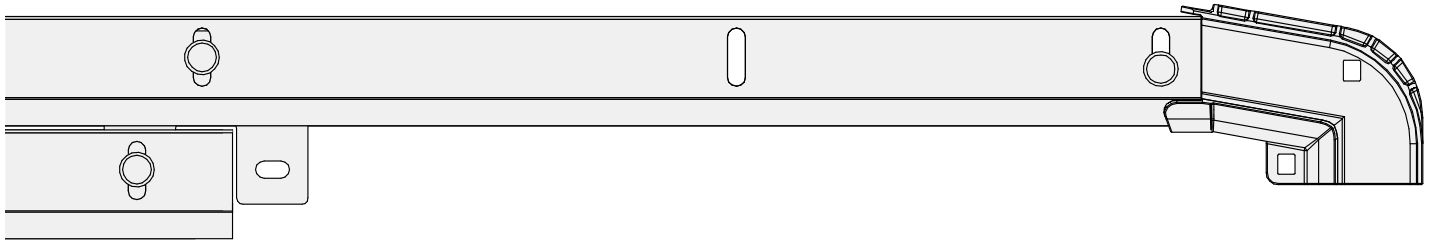
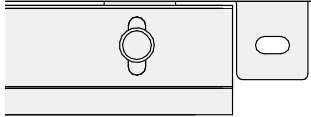
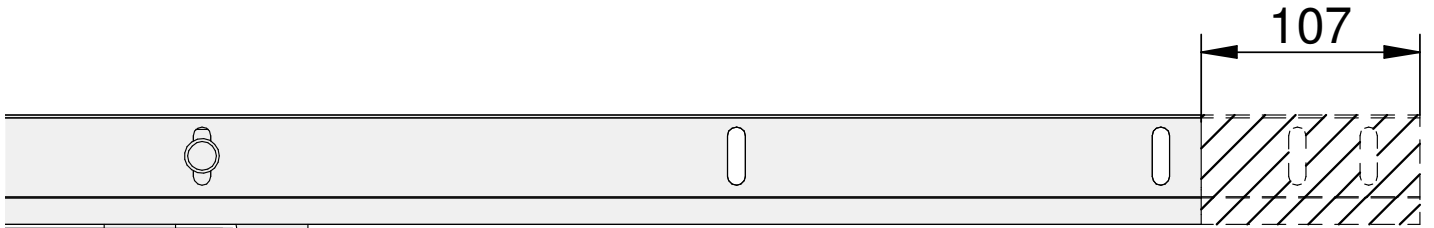
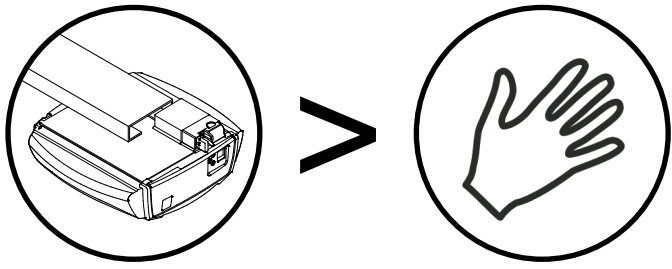


Options

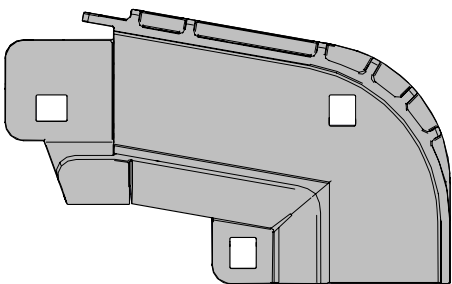




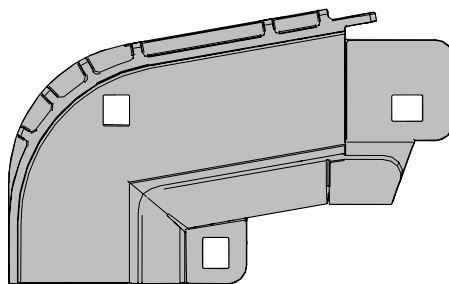
3698



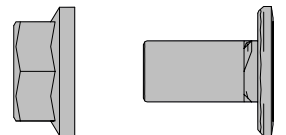
+



3998



3999



8080 8280
(2x)